

SUPERO[®]

SUPERSERVER 5013C-M8



USER'S MANUAL

Revision 1.0a

The information in this User's Manual has been carefully reviewed and is believed to be accurate. The vendor assumes no responsibility for any inaccuracies that may be contained in this document, makes no commitment to update or to keep current the information in this manual, or to notify any person or organization of the updates. **Please Note: For the most up-to-date version of this manual, please see our web site at www.supermicro.com.**

SUPERMICRO COMPUTER reserves the right to make changes to the product described in this manual at any time and without notice. This product, including software, if any, and documentation may not, in whole or in part, be copied, photocopied, reproduced, translated or reduced to any medium or machine without prior written consent.

IN NO EVENT WILL SUPERMICRO COMPUTER BE LIABLE FOR DIRECT, INDIRECT, SPECIAL, INCIDENTAL, SPECULATIVE OR CONSEQUENTIAL DAMAGES ARISING FROM THE USE OR INABILITY TO USE THIS PRODUCT OR DOCUMENTATION, EVEN IF ADVISED OF THE POSSIBILITY OF SUCH DAMAGES. IN PARTICULAR, THE VENDOR SHALL NOT HAVE LIABILITY FOR ANY HARDWARE, SOFTWARE, OR DATA STORED OR USED WITH THE PRODUCT, INCLUDING THE COSTS OF REPAIRING, REPLACING, INTEGRATING, INSTALLING OR RECOVERING SUCH HARDWARE, SOFTWARE, OR DATA.

Any disputes arising between manufacturer and customer shall be governed by the laws of Santa Clara County in the State of California, USA. The State of California, County of Santa Clara shall be the exclusive venue for the resolution of any such disputes. Supermicro's total liability for all claims will not exceed the price paid for the hardware product.

Unless you request and receive written permission from SUPER MICRO COMPUTER, you may not copy any part of this document.

Information in this document is subject to change without notice. Other products and companies referred to herein are trademarks or registered trademarks of their respective companies or mark holders.

Copyright © 2004 by SUPER MICRO COMPUTER INC.
All rights reserved.

Printed in the United States of America

Preface

About This Manual

This manual is written for professional system integrators and PC technicians. It provides information for the installation and use of the SuperServer 5013C-M8. Installation and maintenance should be performed by experienced technicians only.

The SuperServer 5013C-M8 is a high-end single processor 1U rackmount server based on the SC813MS-300C 1U rackmount server chassis and the Super P4SC8 motherboard. The P4SC8 supports a single Intel® Pentium® 4 processor (with a 2MB integrated transfer cache) of up to 3.40 GHz with hyper-threading technology in a 478-pin microPGA socket (processors up to 3.20 GHz must be 90 nano or 0.13 micron technology) or a single Intel® Celeron® processor (with a 128KB integrated advanced transfer cache) of up to 2.80 GHz.

Manual Organization

Chapter 1: Introduction

The first chapter provides a checklist of the main components included with the server system and describes the main features of the Super P4SC8 motherboard and the SC813MS-300C chassis.

Chapter 2: Server Installation

This chapter describes the steps necessary to install the SuperServer 5013C-M8 into a rack and check out the server configuration prior to powering up the system. If your server was ordered without the processor and memory components, this chapter will refer you to the appropriate sections of the manual for their installation.

Chapter 3: System Interface

Refer to this chapter for details on the system interface, which includes the functions and information provided by the control panel on the chassis as well as other LEDs located throughout the system.

Chapter 4: System Safety

You should thoroughly familiarize yourself with this chapter for a general overview of safety precautions that should be followed when installing and servicing the SuperServer 5013C-M8.

Chapter 5: Advanced Motherboard Setup

Chapter 5 provides detailed information on the P4SC8 motherboard, including the locations and functions of connectors, headers and jumpers. Refer to this chapter when adding or removing processors or main memory and when reconfiguring the motherboard.

Chapter 6: Advanced Chassis Setup

Refer to Chapter 6 for detailed information on the SC813MS-300C 1U rackmount server chassis. You should follow the procedures given in this chapter when installing, removing or reconfiguring SCSI or peripheral drives and when replacing system power supply units and cooling fans.

Chapter 7: BIOS

The BIOS chapter includes an introduction to BIOS and provides detailed information on running the CMOS Setup Utility.

Appendix A: BIOS POST Messages

Appendix B: BIOS POST Codes

Appendix C: System Specifications

Notes

Table of Contents

Preface

About This Manual	iii
Manual Organization	iii

Chapter 1: Introduction

1-1 Overview	1-1
1-2 Motherboard Features	1-2
1-3 Server Chassis Features.....	1-5
1-4 Contacting Supermicro	1-7

Chapter 2: Server Installation

2-1 Overview	2-1
2-2 Unpacking the SuperServer 5013C-M8	2-1
2-3 Preparing for Setup	2-1
Choosing a Setup Location	2-2
Rack Precautions	2-2
Server Precautions.....	2-2
Rack Mounting Considerations	2-3
2-4 Installing the 5013C-M8 into a Rack	2-4
Identifying the Sections of the Rack Rails	2-4
Installing the Rear Inner Rails.....	2-4
Installing the Rack Rails	2-5
Installing the Server into the Rack	2-6
Installing the Server into a Telco Rack	2-7
2-5 Checking the Motherboard Setup	2-8
2-6 Checking the Drive Bay Setup.....	2-10

Chapter 3: System Interface

3-1 Overview	3-1
3-2 Control Panel Buttons	3-1
Reset	3-1
Power	3-1
3-3 Control Panel LEDs	3-2
Overheat	3-2
NIC2	3-2
NIC1	3-2
HDD	3-2
Power	3-3

3-4	SCSI Drive Carrier LEDs	3-3
-----	-------------------------------	-----

Chapter 4: System Safety

4-1	Electrical Safety Precautions	4-1
4-2	General Safety Precautions	4-2
4-3	ESD Precautions	4-3
4-4	Operating Precautions	4-4

Chapter 5: Advanced Motherboard Setup

5-1	Handling the P4SC8 Motherboard	5-1
5-2	Motherboard Installation	5-2
5-3	Connecting Cables	5-3
	Connecting Data Cables	5-3
	Connecting Power Cables	5-3
	Connecting the Control Panel	5-3
5-4	I/O Ports	5-4
5-5	Installing Processors	5-5
5-6	Installing Memory	5-7
5-7	Adding PCI Cards	5-8
5-8	Motherboard Details	5-9
	P4SC8 Layout	5-9
	P4SC8 Quick Reference	5-10
5-9	Connector Definitions	5-11
	Power Supply Connectors	5-11
	IR Connector	5-11
	GLAN1/.....	5-11
	PW_ON Connector	5-12
	Reset Connector	5-12
	Overheat LED (OH)	5-12
	GLAN1/GLAN2 LED	5-12
	IDE LED	5-13
	Power On LED	5-13
	Serial Ports	5-13
	Fan Headers	5-13
	Chassis Intrusion	5-14
	ATX PS/2 Keyboard and PS/2 Mouse Ports	5-14
	Universal Serial Bus	5-14
	SMB	5-14
	Wake-On-LAN	5-15

Wake-On-Ring	5-15
SATA LED	5-15
5-10 Jumper Settings	5-16
Explanation of Jumpers	5-16
CMOS Clear	5-16
Front Side Bus Speed	5-17
USB Wake-Up	5-17
Keyboard Wake-Up	5-17
Watch Dog Enable/Disable	5-18
SCSI Enable/Disable	5-18
VGA Enable/Disable	5-18
Keylock Enable/Disable	5-18
Speaker Jumper	5-19
System Power Force On	5-19
OH Fan Force Power On	5-19
GLAN2 Enable/Disable	5-19
5-11 Parallel Port/Floppy and Hard Drive Connections	5-20
Parallel Port	5-20
Floppy Connector	5-20
IDE Connectors	5-21
Ultra320 SCSI Connectors	5-22
5-12 Installing the Operating System and Software	5-23

Chapter 6: Advanced Chassis Setup

6-1 Static-Sensitive Devices	6-1
6-2 Control Panel	6-2
6-3 System Fans	6-3
System Fan Failure	6-3
6-4 Drive Bay Installation/Removal	6-3
Removing the Front Bezel	6-4
Accessing the Drive Bays	6-4
SCSI Drive Installation	6-4
CD-ROM Drive Installation	6-6
6-5 Power Supply	6-7
Power Supply Failure	6-7
Replacing the Power Supply	6-7

Chapter 7: BIOS

7-1 Introduction	7-1
7-2 Running Setup	7-2

7-3	Main BIOS Setup	7-2
7-4	Advanced BIOS Setup	7-4
	7-4.1 Advanced BIOS Features	7-4
	7-4.2 Advanced Chipset Control	7-6
	7-4.3 I/O Device Configuration	7-7
	7-4.4 PnP Configuration	7-9
	7-4.5 Console Redirection	7-10
	7-4.6 Hardware Monitor	7-11
	7-4.7 Processor and Clock Options	7-12
7-5	Security	7-13
7-6	Boot	7-14
7-7	Exit	7-15

Appendices:

Appendix A: BIOS POST Messages	A-1
Appendix B: BIOS POST Codes	B-1
Appendix C: System Specifications	C-1

Notes

Chapter 1

Introduction

1-1 Overview

The Supermicro SuperServer 5013C-M8 is a high-end single processor, 1U rackmount server with state-of-the-art features. The 5013C-M8 is comprised of two main subsystems: the SC813MS-300C 1U rackmount chassis and the P4SC8 motherboard. Please refer to our web site for information on operating systems that have been certified for use with the 5013C-M8 (www.supermicro.com).

In addition to the motherboard and chassis, various hardware components may have been included with the 5013C-M8, as listed below.

- One CPU heatsink (SNK-P0002)
- One (1) slim CD-ROM drive
- SCSI Accessories:
 - Four (4) SCA SCSI hard drive carriers (CSE-PT-39(B))
 - One (1) SCSI backplane (CSE-SCA-813S)
 - One (1) Ultra320 SCSI cable (CBL-037-U320)
- One (1) 3.3V 64-bit, 66 MHz PCI-X slot riser card (CSE-RR1U-X)
- Three (3) 4-cm high-performance fans (FAN-0061)
- Rackmount hardware (with screws):
 - Two (2) rack rail assemblies
 - Six (6) brackets for mounting the rack rails in a rack/telco rack
- One (1) CD containing drivers and utilities
- SuperServer 5013C-M8 User's Manual

1-2 Motherboard Features

At the heart of the SuperServer 5013C-M8 lies the P4SC8, a single processor motherboard designed to provide maximum performance. Below are the main features of the P4SC8.

Chipset Overview

The P4SC8 is based on Intel's E7210 chipset (see Figure 1-1 for a block diagram). The E7210 chipset is made up of two main components:

The Memory Controller Hub (MCH)

The I/O Controller Hub (6300ESB)

Memory Controller Hub (MCH)

The MCH controls the flow of data between the host (CPU) interface, the memory interface and the I/O Controller Hub interface. It contains advanced power management logic and supports dual-channel (interleaved) DDR memory, providing bandwidth of up to 6.4 GB/s using DDR400 SDRAM. The MCH supports configurations of a 800 MHz FSB with a 400/333 memory interface, a 533 MHz FSB with a 333/266 memory interface, and a 400 MHz FSB with a 266 MHz memory interface.

The MCH supports 128 MB, 256 MB, 512 MB, 1 GB, x4, x8, and x16 DDR. Maximum system memory supports up to 4.0 GB for dual-channel, ECC or Non-ECC unbuffered DDR. Registered and/or mixed-mode DIMMs are not supported. For more information, please refer to Chapter 5.

I/O Controller Hub (6300ESB)

The 6300ESB ICH controller hub provides the I/O subsystem with access to the rest of the system. It integrates a dual-channel Ultra320 SCSI controller, a dual-channel Ultra ATA/100 bus master IDE controller, the SMBus 2.0 controller, the LPC/Flash BIOS interface, the PCI-X (66MHz) 1.0 interface, the PCI 2.2 interface and the System Management Controller.

Processors

The P4SC8 supports a single Intel® Pentium® 4 processor (with a 2MB integrated transfer cache) of up to 3.40 GHz with hyper-threading technology in a 478-pin microPGA socket (processors up to 3.20 GHz must be 90 nano or 0.13 micron technology) or a single Intel® Celeron® processor (with a 128KB integrated advanced transfer cache) of up to 2.80 GHz. Please refer to the support section of our web site for a complete listing of supported processors (<http://www.supermicro.com/support/>).

Memory

The P4SC8 has four (4) 184-pin DIMM sockets that can support up to 4 GB of ECC unbuffered DDR400/333/266 SDRAM modules. Low-profile memory modules are required for use in the 1U form factor of the 5013C-M8. Module sizes of 128 MB, 256 MB, 512 MB and 1 GB may be used to populate the DIMM slots. All memory modules should be the same size and speed.

SCSI Subsystem

The E7210's on-chip SCSI controller supports four 80-pin SCA Ultra320 SCSI hard drives. (Standard 1" drives are supported. SCA = Single Connection Attachment.) The SCSI drives are connected to an SCA backplane that provides power, bus termination and configuration settings. The SCSI drives are also hot-swap units.

PCI Expansion Slots

The P4SC8 has two 32-bit, 33 MHz (5V) PCI slots and two 64-bit, 66 MHz (3.3V) PCI-X slots. When configured as the 5013C-M8, one 66 MHz PCI-X slot is available with the use of a riser card (included with the system).

Ethernet Ports

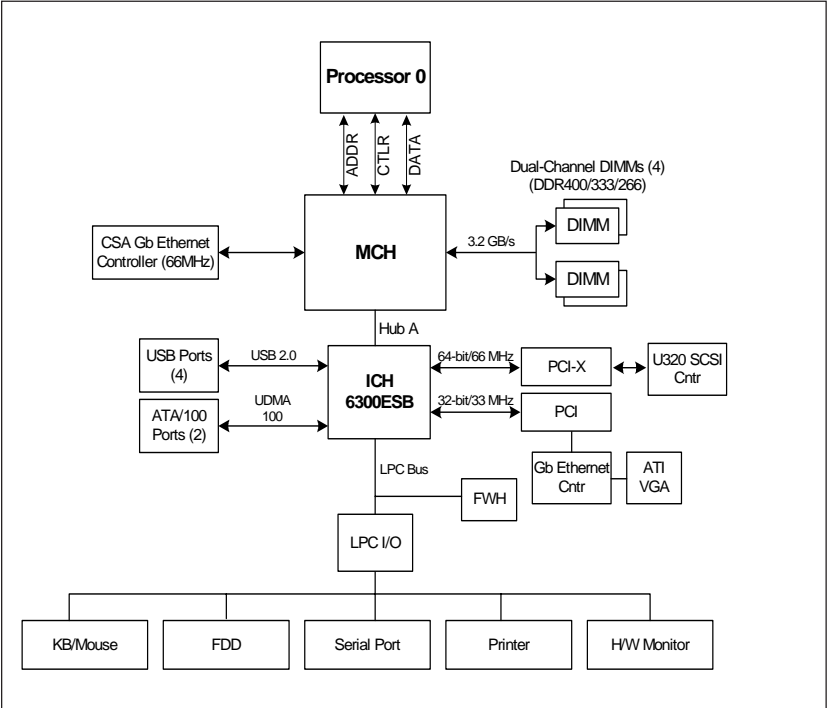
The P4SC8 has an onboard controller that supports two Gigabit LAN ports.

Onboard Controllers/Ports

An onboard IDE controller supports up to four Ultra ATA 100 hard drives or ATAPI devices. Onboard I/O backpanel ports include one COM port, one parallel (printer) port, a VGA port, two USB ports, PS/2 mouse and keyboard ports and two GLAN (NIC) ports.

Other Features

Other onboard features that promote system health include eight voltage monitors, a chassis intrusion header, auto-switching voltage regulators, chassis and CPU overheat sensors, virus protection and BIOS rescue.



**Figure 1-1 . Intel E7210 Chipset:
System Block Diagram**

Note: This is a general block diagram. Please see Chapter 5 for details.

1-3 Server Chassis Features

The SuperServer 5013C-M8 is a 1U rackmount server platform designed with some of today's most state-of-the-art features. The following is a general outline of the main features of the SC813MS-300C chassis.

System Power

When configured as a SuperServer 5013C-M8, the SC813MS-300C chassis includes a single 300W power supply.

SCSI Subsystem

The SC813MS-300C chassis was designed to support four SCSI hard drives. The SCSI drives are hot-swappable units. ATA/100 IDE drives are also supported. **Note:** The operating system you use must have RAID support to enable the hot-swap capability of the SCSI drives.

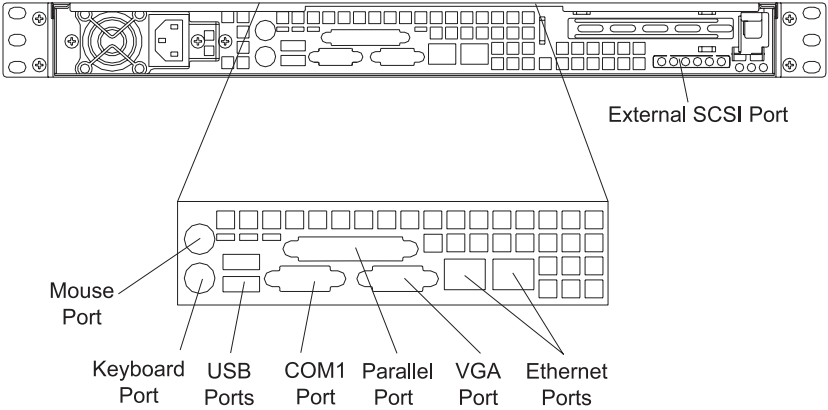
Control Panel

The SC813MS-300C's control panel provides important system monitoring and control information. LEDs indicate power on, network activity, hard disk drive activity and system overheat conditions. The control panel also includes a main power button and a system reset button. The front of the SC813MS-300C also includes a COM port and two USB serial ports for easy access.

Rear I/O Panel

The SC813MS-300C is a 1U rackmount chassis. Its I/O panel provides one PCI motherboard expansion slot, one COM port (another is internal), two USB ports, a parallel (printer) port, PS/2 mouse and keyboard ports, a VGA port and two Gb Ethernet ports. (See Figure 1-2.)

Figure 1-2. Rear I/O Panel



Cooling System

The SC813M-300C chassis has an innovative cooling design that features three 4-cm high-performance system cooling fans. Each of these fans plug into a chassis fan header on the motherboard and operate at full rpm continuously.

1-4 Contacting Supermicro

Headquarters

Address: SuperMicro Computer, Inc.
980 Rock Ave.
San Jose, CA 95131 U.S.A.

Tel: +1 (408) 503-8000

Fax: +1 (408) 503-8008

Email: marketing@supermicro.com (General Information)
support@supermicro.com (Technical Support)

Web Site: www.supermicro.com

Europe

Address: SuperMicro Computer B.V.
Het Sterrenbeeld 28, 5215 ML
's-Hertogenbosch, The Netherlands

Tel: +31 (0) 73-6400390

Fax: +31 (0) 73-6416525

Email: sales@supermicro.nl (General Information)
support@supermicro.nl (Technical Support)
rma@supermicro.nl (Customer Support)

Asia-Pacific

Address: SuperMicro, Taiwan
D5, 4F, No. 16 Chien-Ba Road
Chung-Ho 235, Taipei Hsien, Taiwan, R.O.C.

Tel: +886-(2) 8226-3990

Fax: +886-(2) 8226-3991

Web Site: www.supermicro.com.tw

Technical Support:

Email: support@supermicro.com.tw

Tel: 886-2-8228-1366, ext.132 or 139

Notes

Chapter 2

Server Installation

2-1 Overview

This chapter provides a quick setup checklist to get your SuperServer 5013C-M8 up and running. Following the steps in the order given should enable you to have the system operational within a minimal amount of time. This quick setup assumes that your 5013C-M8 system has come to you with the processor and memory preinstalled. If your system is not already fully integrated with a motherboard, processor, system memory etc., please turn to the chapter or section noted in each step for details on installing specific components.

2-2 Unpacking the SuperServer 5013C-M8

You should inspect the box the SuperServer 5013C-M8 was shipped in and note if it was damaged in any way. If the server itself shows damage, you should file a damage claim with the carrier who delivered it.

Decide on a suitable location for the rack unit that will hold the SuperServer 5013C-M8. It should be situated in a clean, dust-free area that is well ventilated. Avoid areas where heat, electrical noise and electromagnetic fields are generated. You will also need it placed near a grounded power outlet. Read the Rack and Server Precautions in the next section.

2-3 Preparing for Setup

The box the SuperServer 5013C-M8 was shipped in should include two sets of rail assemblies, six rail mounting brackets and the mounting screws you will need to install the system into the rack. Follow the steps in the order given to complete the installation process in a minimal amount of time. Please read this section in its entirety before you begin the installation procedure outlined in the sections that follow.

Choosing a Setup Location

- Leave enough clearance in front of the rack to enable you to open the front door completely (~25 inches).
- Leave approximately 30 inches of clearance in the back of the rack to allow for sufficient airflow and ease in servicing.



Warnings and Precautions!



Rack Precautions

- Ensure that the leveling jacks on the bottom of the rack are fully extended to the floor with the full weight of the rack resting on them.
- In a single rack installation, stabilizers should be attached to the rack.
- In multiple rack installations, the racks should be coupled together.
- Always make sure the rack is stable before extending a component from the rack.
- You should extend only one component at a time - extending two or more simultaneously may cause the rack to become unstable.

Server Precautions

- Review the electrical and general safety precautions in Chapter 4.
- Determine the placement of each component in the rack *before* you install the rails.
- Install the heaviest server components on the bottom of the rack first, and then work up.
- Use a regulating uninterruptible power supply (UPS) to protect the server from power surges, voltage spikes and to keep your system operating in case of a power failure.
- Allow the power supply units and hot plug SCSI drives to cool before touching them.
- Always keep the rack's front door and all panels and components on the servers closed when not servicing to maintain proper cooling.

Rack Mounting Considerations

Ambient Operating Temperature

If installed in a closed or multi-unit rack assembly, the ambient operating temperature of the rack environment may be greater than the ambient temperature of the room. Therefore, consideration should be given to installing the equipment in an environment compatible with the manufacturer's maximum rated ambient temperature (T_{mra}).

Reduced Airflow

Equipment should be mounted into a rack so that the amount of airflow required for safe operation is not compromised.

Mechanical Loading

Equipment should be mounted into a rack so that a hazardous condition does not arise due to uneven mechanical loading.

Circuit Overloading

Consideration should be given to the connection of the equipment to the power supply circuitry and the effect that any possible overloading of circuits might have on overcurrent protection and power supply wiring. Appropriate consideration of equipment nameplate ratings should be used when addressing this concern.

Reliable Ground

A reliable ground must be maintained at all times. To ensure this, the rack itself should be grounded. Particular attention should be given to power supply connections other than the direct connections to the branch circuit (i.e. the use of power strips, etc.).

2-4 Installing the 5013C-M8 into a Rack

This section provides information on installing the SuperServer 5013C-M8 into a rack unit. If the system has already been mounted into a rack, you can skip ahead to Sections 2-5 and 2-6. There are a variety of rack units on the market, which may mean the assembly procedure will differ slightly. The following is a guideline for installing the unit into a rack with the rack rails provided with the system. You should also refer to the installation instructions that came with the rack unit you are using.

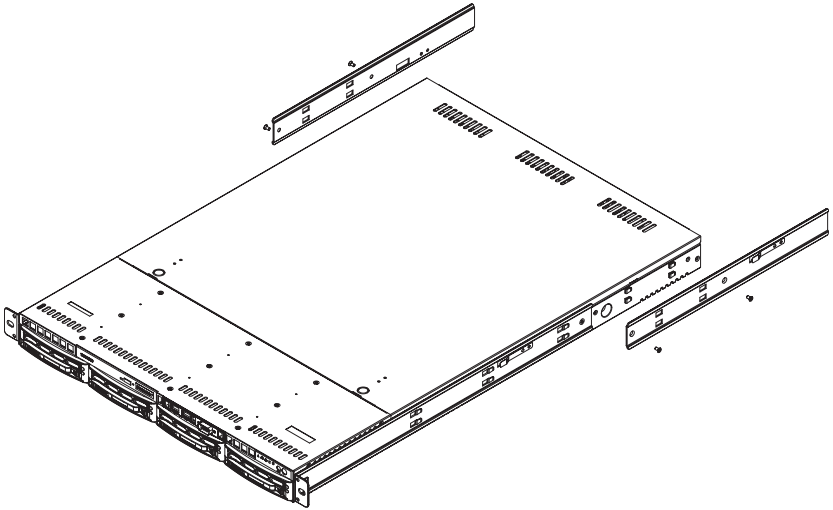
Identifying the Sections of the Rack Rails

You may have received rack rail hardware with the SuperServer 5013C-M8. (Two front inner rails should already be attached to the chassis.) This hardware consists of two rear inner rails that secure to the chassis, one on each side just behind the preinstalled front inner rails. Note that these two rails are left/right specific.

Installing the Rear Inner Rails

First, locate the right rear inner rail (the rail that will be used on the right side of the chassis when you face the front of the chassis). Align the two square holes on the rail against the hooks on the right side of the chassis. Securely attach the rail to the chassis with M4 flat head screws. Repeat these steps to install the left rear inner rail to the left side of the chassis (see Figure 2-1). You will also need to attach the rail brackets when installing into a telco rack.

Locking Tabs: Both chassis rails have a locking tab, which serves two functions. The first is to lock the server into place when installed and pushed fully into the rack, which is its normal position. Secondly, these tabs also lock the server in place when fully extended from the rack. This prevents the server from coming completely out of the rack when you pull it out for servicing.

Figure 2-1. Installing Rear Inner Chassis Rails

Installing the Rack Rails

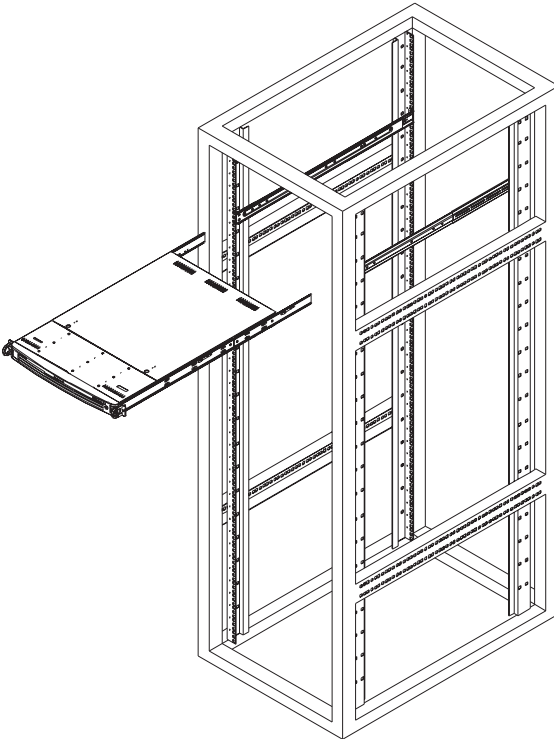
Determine where you want to place the SuperServer 5013C-M8 in the rack ([see Rack and Server Precautions in Section 2-3](#)). Position the chassis rail guides at the desired location in the rack, keeping the sliding rail guide facing the inside of the rack. Screw the assembly securely to the rack using the brackets provided. Attach the other assembly to the other side of the rack, making sure that both are at the exact same height and with the rail guides facing inward.

Installing the Server into the Rack

You should now have rails attached to both the chassis and the rack unit. The next step is to install the server into the rack. Do this by lining up the rear of the chassis rails with the front of the rack rails. Slide the chassis rails into the rack rails, keeping the pressure even on both sides (you may have to depress the locking tabs when inserting). See Figure 2-2.

When the server has been pushed completely into the rack, you should hear the locking tabs "click". Finish by inserting and tightening the thumbscrews that hold the front of the server to the rack.

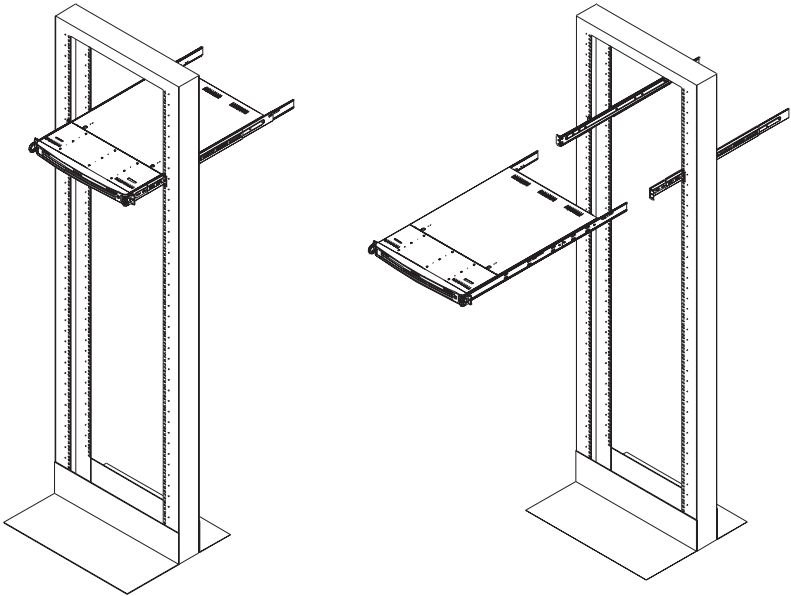
**Figure 2-2. Installing the Server into a Rack
(with optional front bezel shown)**



Installing the Server into a Telco Rack

If you are installing the SuperServer 5013C-M8 into a Telco type rack, follow the directions given on the previous pages for rack installation. The only difference in the installation procedure will be the positioning of the rack brackets to the rack. They should be spaced apart just enough to accommodate the width of the telco rack.

**Figure 2-3. Installing the Server into a Telco Rack
(with optional front bezel shown)**



2-5 Checking the Motherboard Setup

After you install the 5013C-M8 in the rack, you will need to open the unit to make sure the motherboard is properly installed and all the connections have been made.

1. Accessing the inside of the 5013C-M8 (Figure 2-4)

First, release the retention screws that secure the unit to the rack. Grasp the two handles on either side and pull the unit straight out until it locks (you will hear a "click"). Next, depress the two buttons on the top of the chassis to release the top cover. There is a large rectangular recess in the middle front of the top cover to help you push the cover away from you until it stops. You can then lift the top cover from the chassis to gain full access to the inside of the server.

2. Check the CPU (processor)

You may have one processor already installed into the system board. Each processor should have its own heat sink attached. See Chapter 5 for instructions on processor installation.

3. Check the system memory

Your 5013C-M8 server system may have come with system memory already installed. Make sure all DIMMs are fully seated in their slots. For details on adding system memory, refer to Chapter 5.

4. Installing add-on cards

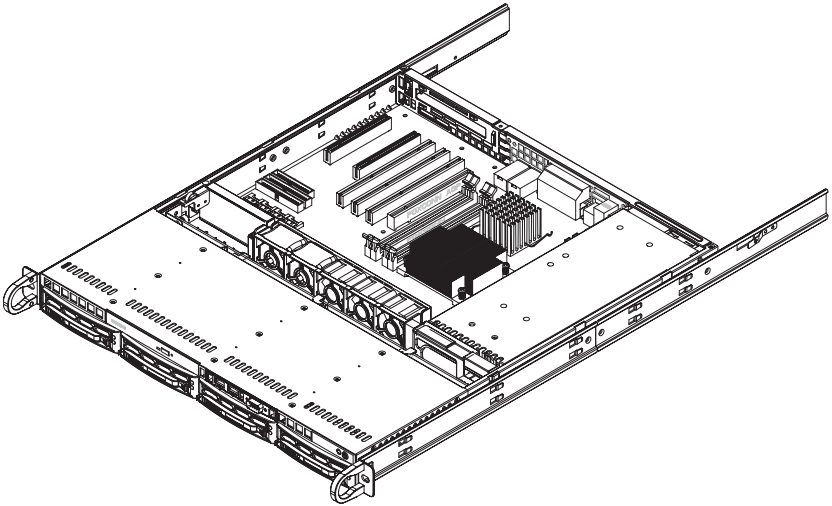
If desired, you can install an add-on card to the system. See Chapter 5 for details on installing a PCI add-on card.

5. Check all cable connections and airflow

Make sure all power and data cables are properly connected and not blocking the airflow. See Chapter 5 for details on cable connections. Also, check the air seals for damage. The air seals are located under the chassis fans and beneath the frame cross section that separates the drive bay area from the motherboard area of the chassis.

Note: Make sure that the air seals are properly installed.

Figure 2-4.
Accessing the Inside of the SuperServer 5013C-M8



2-6 Checking the Drive Bay Setup

Next, you should check to make sure the peripheral drives and the SCSI drives and SCSI backplane have been properly installed and all essential connections have been made.

1. Accessing the drive bays

All drives can be accessed from the front of the server. For servicing the CD-ROM drive, you will need to remove the top chassis cover. The SCSI disk drives can be installed and removed from the front of the chassis without removing the top chassis cover.

2. Installing a CD-ROM drive

Refer to Chapter 6 if you need to reinstall a CD-ROM drive to the system.

3. Check the SCSI disk drives

Depending upon your system's configuration, your system may have one or more SCSI drives already installed. If you need to install SCSI drives, please refer to the appropriate section in Chapter 6.

4. Check the airflow

Airflow is provided by three high-performance 4-cm input fans. The system component layout was carefully designed to promote sufficient airflow through the small 1U rackmount space. Also note that all power and data cables have been routed in such a way that they do not block the airflow generated by the fans.

5. Supplying power to the system

The last thing you must do is to provide input power to the system. Plug the power cord from the power supply unit into a high-quality power strip that offers protection from electrical noise and power surges. It is recommended that you use an uninterruptible power supply (UPS).

Chapter 3

System Interface

3-1 Overview

There are several LEDs on the control panel as well as others on the SCSI drive carriers to keep you constantly informed of the overall status of the system as well as the activity and health of specific components. There are also two buttons on the chassis control panel and an on/off switch on the power supply. This chapter explains the meanings of all LED indicators and the appropriate response you may need to take.

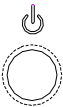
3-2 Control Panel Buttons

There are two push-button buttons located on the front of the chassis. These are (in order from left to right) a reset button and a power on/off button.

RESET



- **RESET:** The reset switch reboots the system.



- **POWER:** This is the main power switch, which is used to apply or turn off the main system power. Turning off system power with this button removes the main power but keeps standby power supplied to the system.

3-3 Control Panel LEDs

The control panel located on the front of the SC813MS-300C chassis has five LEDs. These LEDs provide you with critical information related to different parts of the system. This section explains what each LED indicates when illuminated and any corrective action you may need to take.



- **OVERHEAT:** Indicates an overheat condition in the chassis. This may be caused by cables obstructing the airflow in the system, or the ambient room temperature being too warm. You should also check to make sure that the chassis cover is installed and that all fans are present and operating normally. Finally, check the air seals for damage. The air seals are located under the fans and beneath the frame cross section that separates the drive bay area from the motherboard area of the chassis.



NIC2

- **NIC2:** Indicates network activity on GLAN2 when flashing .



NIC1

- **NIC1:** Indicates network activity on GLAN1 when flashing.



- **HDD:** Channel activity for all HDDs. This light indicates CD-ROM and SCSI drive activity when flashing.



- **Power:** Indicates power is being supplied to the system's power supply units. This LED should normally be illuminated when the system is operating.

3-4 SCSI Drive Carrier LEDs

Each SCSI drive carrier has two LEDs.

- **Green:** When illuminated, the green LED on the front of the SCSI drive carrier indicates drive activity. A connection to the SCSI SCA backplane enables this LED to blink on and off when that particular drive is being accessed.
- **Red:** A SAF-TE compliant backplane is needed to activate the red LED to indicate a drive failure. (A SAF-TE compliant SCSI backplane is optional on the 5013C-M8.) If one of the SCSI drives fail, you should be notified by your system management software. Please refer to Section 6-4 for instructions on replacing failed SCSI drives.

Notes

Chapter 4

System Safety

4-1 Electrical Safety Precautions



Basic electrical safety precautions should be followed to protect yourself from harm and the SuperServer 5013C-M8 from damage:

- Be aware of the locations of the power on/off switch on the chassis as well as the room's emergency power-off switch, disconnection switch or electrical outlet. If an electrical accident occurs, you can then quickly remove power from the system.
- Do not work alone when working with high voltage components.
- Power should always be disconnected from the system when removing or installing main system components, such as the motherboard, memory modules and CD-ROM drive. When disconnecting power, you should first power down the system with the operating system first and then unplug the power cords of all the power supply units in the system.
- When working around exposed electrical circuits, another person who is familiar with the power-off controls should be nearby to switch off the power if necessary.
- Use only one hand when working with powered-on electrical equipment. This is to avoid making a complete circuit, which will cause electrical shock. Use extreme caution when using metal tools, which can easily damage any electrical components or circuit boards they come into contact with.
- Do not use mats designed to decrease static electrical discharge as protection from electrical shock. Instead, use rubber mats that have been specifically designed as electrical insulators.
- The power supply power cords must include a grounding plug and must be plugged into grounded electrical outlets.

- **Motherboard Battery: CAUTION** - There is a danger of explosion if the onboard battery is installed upside down, which will reverse its polarities. This battery must be replaced only with the same or an equivalent type recommended by the manufacturer. Dispose of used batteries according to the manufacturer's instructions.
- **CD-ROM Laser: CAUTION** - this server may have come equipped with a CD-ROM drive. To prevent direct exposure to the laser beam and hazardous radiation exposure, do not open the enclosure or use the unit in any unconventional way.

4-2 General Safety Precautions



Follow these rules to ensure general safety:

- Keep the area around the SuperServer 5013C-M8 clean and free of clutter.
- The SuperServer 5013C-M8 weighs approximately 38 lbs (~17.3 kg) when fully loaded. When lifting the system, two people at either end should lift slowly with their feet spread out to distribute the weight. Always keep your back straight and lift with your legs.
- Place the chassis top cover and any system components that have been removed away from the system or on a table so that they won't accidentally be stepped on.
- While working on the system, do not wear loose clothing such as neckties and unbuttoned shirt sleeves, which can come into contact with electrical circuits or be pulled into a cooling fan.
- Remove any jewelry or metal objects from your body, which are excellent metal conductors that can create short circuits and harm you if they come into contact with printed circuit boards or areas where power is present.
- After accessing the inside of the system, close the system back up and secure it to the rack unit with the retention screws after ensuring that all connections have been made.

4-3 ESD Precautions



Electrostatic discharge (ESD) is generated by two objects with different electrical charges coming into contact with each other. An electrical discharge is created to neutralize this difference, which can damage electronic components and printed circuit boards. The following measures are generally sufficient to neutralize this difference before contact is made to protect your equipment from ESD:

- Use a grounded wrist strap designed to prevent static discharge.
- Keep all components and printed circuit boards (PCBs) in their antistatic bags until ready for use.
- Touch a grounded metal object before removing the board from the antistatic bag.
- Do not let components or PCBs come into contact with your clothing, which may retain a charge even if you are wearing a wrist strap.
- Handle a board by its edges only; do not touch its components, peripheral chips, memory modules or contacts.
- When handling chips or modules, avoid touching their pins.
- Put the motherboard and peripherals back into their antistatic bags when not in use.
- For grounding purposes, make sure your computer chassis provides excellent conductivity between the power supply, the case, the mounting fasteners and the motherboard.

4-4 Operating Precautions



Care must be taken to assure that the chassis cover is in place when the 5013C-M8 is operating to assure proper cooling. Out of warranty damage to the 5013C-M8 system can occur if this practice is not strictly followed.

Chapter 5

Advanced Motherboard Setup

This chapter covers the steps required to install the P4SC8 motherboard into the SC813MS-300C chassis, connect the data and power cables and install add-on cards. All motherboard jumpers and connections are also described. A layout and quick reference chart are included in this chapter for your reference. Remember to completely close the chassis when you have finished working with the motherboard to better cool and protect the system.

5-1 Handling the P4SC8 Motherboard

Electric-static discharge (ESD) can damage electronic components. To prevent damage to any printed circuit boards (PCBs), it is important to handle them very carefully (see previous chapter). To prevent the P4SC8 motherboard from bending, keep one hand under the center of the board to support it when handling. The following measures are generally sufficient to protect your equipment from electric static discharge.

Precautions

- Use a grounded wrist strap designed to prevent Electric Static Discharge (ESD).
- Touch a grounded metal object before removing any board from its anti-static bag.
- Handle a board by its edges only; do not touch its components, peripheral chips, memory modules or gold contacts.
- When handling chips or modules, avoid touching their pins.
- Put the motherboard, add-on cards and peripherals back into their anti-static bags when not in use.
- For grounding purposes, make sure your computer chassis provides excellent conductivity between the power supply, the case, the mounting fasteners and the motherboard.

Unpacking

The motherboard is shipped in antistatic packaging to avoid electrical static discharge. When unpacking the board, make sure the person handling it is static protected.

5-2 Motherboard Installation

This section explains the first step of physically mounting the P4SC8 into the SC813MS-300C chassis. Following the steps in the order given will eliminate the most common problems encountered in such an installation. To remove the motherboard, follow the procedure in reverse order.

1. Accessing the inside of the 5013C-M8 (see Figure 2-5)

Two release buttons are located on the top cover of the chassis. Depressing both of these buttons while pushing the cover away from you until it stops. You can then lift the top cover from the chassis to gain full access to the inside of the server. (If already installed in a rack, you must first release the retention screws that secure the unit to the rack. Then grasp the two handles on either side and pull the unit straight out until the rails lock into place.)

2. Check compatibility of motherboard ports and I/O shield:

The P4SC8 requires a chassis big enough to support a 12" x 9.5" motherboard, such as Supermicro's SC813MS-300C 1U rackmount. Make sure that the I/O ports on the motherboard align properly with their respective holes in the I/O shield at the back of the chassis.

3. Mounting the motherboard onto the motherboard tray:

Carefully mount the motherboard to the motherboard tray by aligning the board holes with the raised metal standoffs that are visible on the bottom of the chassis. Insert screws into all the mounting holes on your motherboard that line up with the standoffs and tighten until snug (if you screw them in too tight, you might strip the threads). Metal screws provide an electrical contact to the motherboard ground to provide a continuous ground for the system.

5-3 Connecting Cables

Now that the motherboard is installed, the next step is to connect the cables to the board. These include the data (ribbon) cables for the peripherals and control panel and the power cables.

Connecting Data Cables

The ribbon cables used to transfer data from the peripheral devices have been carefully routed to prevent them from blocking the flow of cooling air that moves through the system from front to back. If you need to disconnect any of these cables, you should take care to keep them routed as they were originally after reconnecting them (make sure the red wires connect to the pin 1 locations). The following data cables (with their locations noted) should be connected. (See the layout on page 5-9 for connector locations.)

- IDE Device Cable (J5)
- SCSI Cable (JA1)
- Control Panel Cable (JF1)

Connecting Power Cables

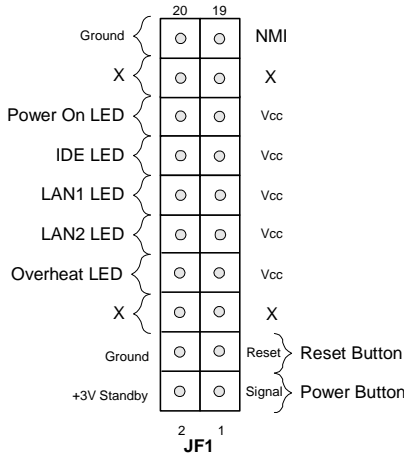
The P4SC8 has a 24-pin primary power supply connector ("ATX Power") at J20 for connection to the ATX power supply. In addition, there is a 4-pin secondary power connector at J21 that also must be connected to your power supply. See Chapter 5 for power connector pin definitions.

Connecting the Control Panel

JF1 contains header pins for various front control panel connectors. See Figure 5-1 for the pin locations of the various front control panel buttons and LED indicators.

All JF1 wires have been bundled into a single ribbon cable to simplify this connection. Make sure the red wire plugs into pin 1 as marked on the board. The other end connects to the Control Panel PCB board, located just behind the system status LEDs on the chassis. See Chapter 5 for details and pin descriptions.

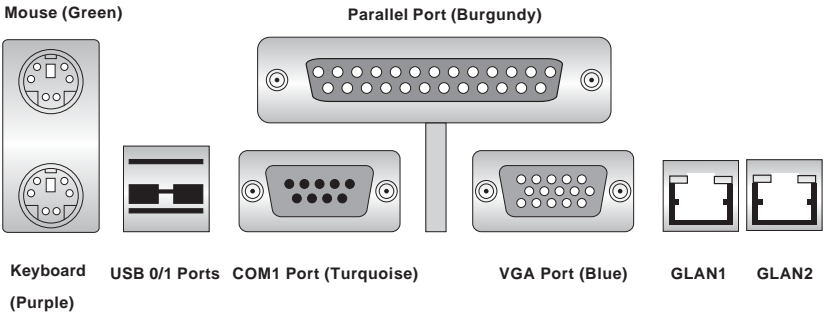
Figure 5-1. Control Panel Header Pins



5-4 I/O Ports

The I/O ports are color coded in conformance with the PC 99 specification. See Figure 5-2 below for the colors and locations of the various I/O ports.

Figure 5-2. Backpanel I/O Ports



Note: The COM2 port is a header on the motherboard, located behind the mouse and keyboard ports.

5-5 Installing Processors



Avoid placing direct pressure to the top of the processor package. Always remove the power cord first before adding, removing or changing any hardware components.

Processor Support

The P4SC8 has a single 478-pin microPGA socket, which supports Intel Pentium 4 or Celeron processors.

1. Lift the lever on the CPU socket.
2. Install the CPU in the socket. Make sure that Pin 1 of the CPU is seated on Pin 1 of the socket (both corners are marked with a triangle).
3. Press the lever down until you hear it *click* into the locked position.
4. Apply the proper amount of thermal compound to the CPU die. Place the heatsink on top of the CPU aligning its holes with those on the retention mechanism. Screw in two diagonal screws (ie. the #1 and #2 screws) until just snug, then do the same with the remaining two screws. Finish by fully tightening all four screws (see Figure 5-4 on next page).

Figure 5-3. 478-pin Socket: Empty and with Processor Installed

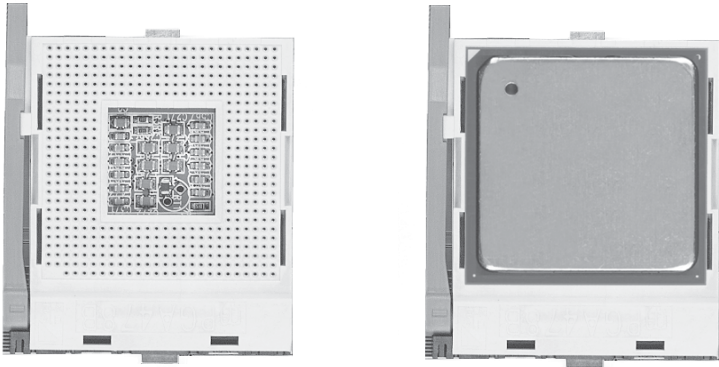
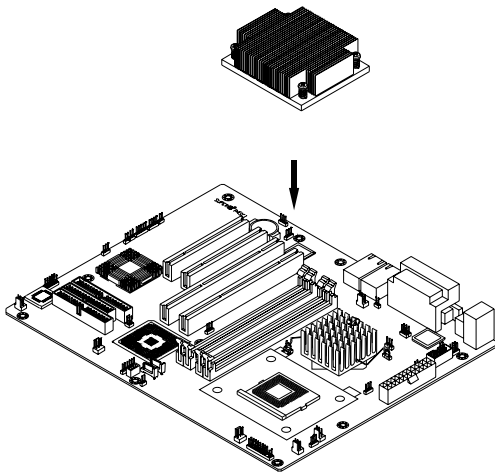


Figure 5-4. Heatsink Installation



5-6 Installing Memory



CAUTION! Exercise extreme care when installing or removing DIMM modules to prevent any possible damage.

1. Memory support

The P4SC8 supports 4 GB of dual-channel, ECC or non-ECC unbuffered DDR-400/333/266 SDRAM. Populating DIMM0A and DIMM1A and/or DIMM0B and DIMM1B with the same size/same type of memory modules will result in dual channel (two-way interleaved) operation, which is faster than single channel operation. See the table on the following page for system configuration and the corresponding memory speed support.

2. Installing memory modules

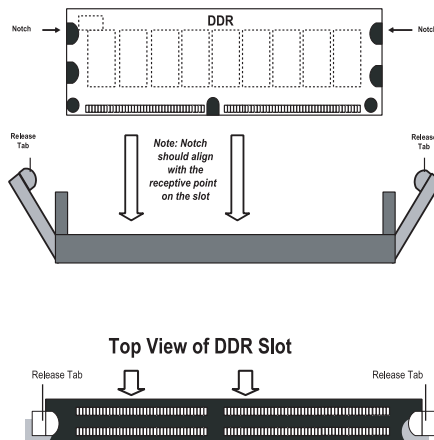
Insert each memory module vertically. Pay attention to the notch along the bottom of the module to prevent inserting it incorrectly. Gently press down on the DIMM module until it snaps into place in the slot (see Figure 5-5).

Note: The Intel E7210 chip supports unbuffered, non-ECC or ECC memory. If ECC memory is installed, the ECC bits need to be initialized via BIOS before beginning normal system operation. For system with 4 GB memory and a 2.4 GHz Pentium 4, initialization will take about 65 seconds before any video displays. Since ECC initialization takes time, the Watch Dog Timer select option needs to be set to a time that will exceed the ECC initialization time.

Figure 5-5. DIMM Installation

To Install: Insert module vertically and press down until it snaps into place. Pay attention to the bottom notch.

To Remove: Use your thumbs to gently push each release tab outward to free the DIMM from the slot.



Memory Speeds

Host Clock (MHz)	FSB (MHz)	DRAM Data (MT/s)	Shown during POST routine
100	400	266	DDR266
		333	DDR266
		400	DDR266
133	533	266	DDR266
		333	DDR333
		400	DDR333
200	800	266	DDR266
		333	DDR320*
		400	DDR400

* The BIOS displays DDR320 due to a chipset limitation.

5-7 Adding PCI Cards

1. 64-bit PCI-X slot

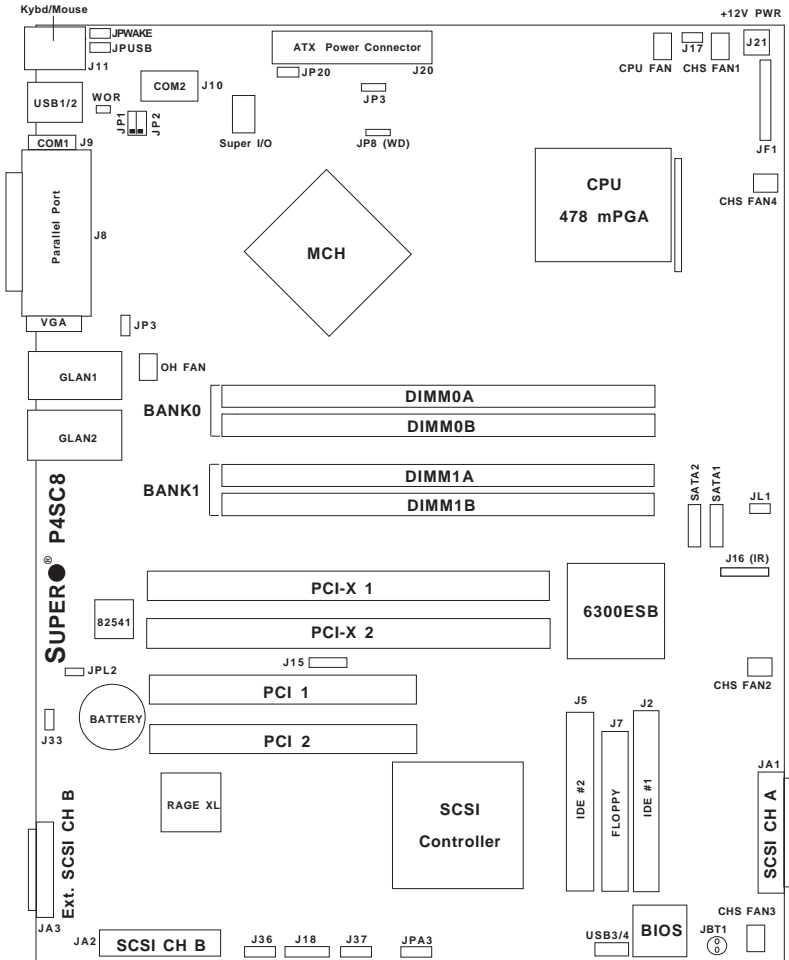
The 5013C-M8 has a riser card (p/n CSE-RR1U-X) designed specifically for use in the SC813MS-300C 1U rackmount chassis (included with the system). This riser card allows a 64-bit, 66 MHz (3.3V) standard size PCI-X card to sit at a 90 degree angle so it can fit inside the chassis.

2. PCI card installation

Before installing a PCI-X add-on card, locate the PCI riser card mentioned in Step 1. Begin by removing the I/O shield for the PCI-X slot (on the I/O backplane). Fully seat the add-on card into the riser card and screw it into the metal retention rail. Then, insert the riser card into the PCI slot on the motherboard, pushing down with your thumbs evenly on both sides of the card. Finish by using a screw to secure the top of the card shield to the rear of the chassis. The I/O shield protects the motherboard and its components from EMI and aids in proper system ventilation, so make sure either the shield or an add-on card is always present.

5-8 Motherboard Details

Figure 5-6. P4SC8 Layout
(not drawn to scale)



Jumpers not indicated are for test purposes only.

Warning: Using the wrong type of onboard CMOS battery or installing it upside down may result in explosion.

P4SC8 Quick Reference

<u>Jumpers</u>	<u>Description</u>	<u>Default Setting</u>
J17	Power LED	Closed (On)
J18	Speaker Enable	Pins 3-4 (Internal Buzz.)
J33	VGA Enable/Disable	Pins 1-2 (Enabled)
J36	Keylock Enable/Disable	Open (Disabled)
JBT1	CMOS Clear	See Section 5-10
JP1, JP2	CPU Clock Speed	Pins 1-2 (Auto)
JP3	OH Fan Force On	Closed (On)
JP8	Watch Dog Reset	Pins 1-2 (WD Reset)
JP20	System Power Force On	Open (Disabled)
JPA3	SCSI Enable/Disable	Pins 1-2 (Enabled)
JPL2	GLAN2 Enable/Disable	Pins 1-2 (Enabled)
JPUSB	USB1/2 Wake Up	Pins 1-2 (Disabled)
JPWAKE	Keyboard Wakeup	Pins 1-2 (Disabled)

<u>Connectors</u>	<u>Description</u>
DIMM 0A,0B,1A,1B	Memory Slots (1 through 4)
Fans	CPU Fan, Chassis Fans 1-4, Overheat Fan
GLAN1/2	Gigabit LAN1/2 Ports
J2/J5	IDE Ports #1/#2
J3/J4	Serial ATA Connectors (SATA1/SATA2)
J7	Floppy Disk Drive Connector
J8	Parallel Printer Port
J9/J10	COM1/COM2
J11	Keyboard/Mouse Ports
J15	System Management Bus
J16	Infrared Header
J20	ATX Power Connector
J21	+12V 4-pin Power Connector
J37	Serial ATA LED Activity Header
JA1/JA2	SCSI Channel A/B Connectors (Internal)
JA3	External SCSI Channel B Connector
JF1	Front Control Panel Header
JL1	Chassis Intrusion Header
USB1/2	Back Panel USB 1/2
USB3/4	Front Panel USB 3/4 Header
VGA	VGA Header
WOL	Wake-On-LAN

5-9 Connector Definitions

Power Supply Connectors

The primary power supply connector on the P4SC8 meets the SSI (Superset ATX) 24-pin specification. Refer to the table on the right for the pin definitions of the ATX 24-pin power connector. You must also connect the 4-pin J21 power connector to your power supply. Refer to the table below right for the J21 (12V) connector.

Important: you must connect J21 to your power supply to meet the ATX safety requirements.

**ATX Power Supply 24-pin Connector
Pin Definitions (J20)**

Pin Number	Definition	Pin Number	Definition
13	+3.3V	1	+3.3V
14	-12V	2	+3.3V
15	COM	3	COM
16	PS_ON#	4	+5V
17	COM	5	COM
18	COM	6	+5V
19	COM	7	COM
20	Res(NC)	8	PWR_OK
21	+5V	9	5VSB
22	+5V	10	+12V
23	+5V	11	+12V
24	COM	12	+3.3V

**+12V 4-pin PWR
Connector
(J21)**

**Required
Connection**

Pins #	Definition
1 & 2	Ground
3 & 4	+12 V

IR Connector

The infrared connector is located on J16. See the table on the right for pin definitions. See the Technical Support section of our web page for information on the infrared devices you can connect to the system.

**Infrared Pin
Definitions
(J16)**

Pin Number	Definition
1	+5V
2	CIRRX
3	IRRX
4	Ground
5	IRTX
6	NC

GLAN1/2 (Ethernet Ports)

Two Ethernet ports (designated GLAN1 and GLAN2) are located beside the VGA port on the I/O backplane. These ports accept RJ45 type cables.



PW_ON Connector

The PW_ON connector is located on pins 1 and 2 of JF1. This header should be connected to the chassis power button, which you may also configure to put the system into suspend mode (see the Power Button Mode setting in BIOS). To turn off the power when the suspend mode is enabled, depress the power button for at least 4 seconds. See the table on the right for pin definitions.

**PW_ON
Pin Definitions
(JF1)**

Pin Number	Definition
1	Signal
2	+3V Stby

Reset Connector

The reset connector is located on pins 3 and 4 of JF1 and attaches to the reset switch on the computer chassis. See the table on the right for pin definitions.

**Reset Pin
Definitions
(JF1)**

Pin Number	Definition
3	Reset
4	Ground

Overheat LED (OH)

Connect an LED to the OH connection on pins 7 and 8 of JF1 to provide advanced warning of chassis overheating. Refer to the table on the right for pin definitions.

**Overheat (OH) LED
Pin Definitions
(JF1)**

Pin Number	Definition
7	Vcc
8	GND

GLAN1/GLAN2 LED

The GLAN1 and GLAN2 LED connections for the Ethernet ports are located on pins 9 and 10 (GLAN2) and 11 and 12 (GLAN1) of JF2. Attach LAN LED cables to display network activity. See the table on the right for pin definitions.

**GLAN1/GLAN2 LED
Pin Definitions
(JF1)**

Pin Number	Definition
9,10	Vcc
11,12	GND

IDE LED

The IDE LED is located on pins 13 and 14 of JF1. This LED is used to display all IDE and SATA activity. See the table on the right for pin definitions.

**Hard Drive Activity
LED Pin Definitions
(JF1)**

Pin Number	Definition
13	+5V
14	HD Activity

Power On LED

The Power On LED connector is located on pins 15 and 16 of JF1 (use J17 for a 3-pin connector). This connection is used to provide LED indication of power being supplied to the system. See the table on the right for pin definitions.

**PWR_LED Pin Definitions
(JF1)**

Pin Number	Definition
15	+5V
16	Ground

**J17
Pin Definitions**

Pin Number	Definition
1	+5V
2	Key
3	Ground

Serial Ports

Two serial ports are included on the motherboard: COM1 (J9) is a port located beside the mouse/keyboard ports and COM2 (J10) is a header located on the motherboard near the J20 power connector. See the table on the right for pin definitions.

**Serial Port Pin Definitions
(COM1, COM2)**

Pin Number	Definition	Pin Number	Definition
1	CD	6	DSR
2	RD	7	RTS
3	TD	8	CTS
4	DTR	9	RI
5	Ground	10	NC

Note: Pin 10 is included on the header but not on the port. NC indicates no connection.

Fan Headers

There are six fan headers on the P4SC8, which are designated FAN1, FAN2, FAN3, FAN4, CPU FAN and OH (Overheat) FAN. Note that FAN 3 and FAN 4 are not monitored by BIOS. Connect the fan on your CPU heatsink to the CPU FAN header. See the table on the right for pin definitions.

**Fan Header Pin Definitions
(FAN1, 2, 3, 4, CPU and Overheat)**

Pin Number	Definition
1	Ground (black)
2	+12V (red)
3	Tachometer

Caution: These fan headers are DC power.

Chassis Intrusion

The Chassis Intrusion header is designated JL1. See the board layout for the location of JL1 and the table on the right for pin definitions.

**Chassis Intrusion
Pin Definitions (JL1)**

Pin Number	Definition
1	Intrusion Input
2	Ground

ATX PS/2 Keyboard and PS/2 Mouse Ports

The ATX PS/2 keyboard and the PS/2 mouse are located on J11. The mouse port is above the keyboard port. See the table on the right for pin definitions.

**PS/2 Keyboard and Mouse Port
Pin Definitions (J11)**

Pin Number	Definition
1	Data
2	NC
3	Ground
4	VCC
5	Clock
6	NC

Universal Serial Bus (USB)

There are two Universal Serial Bus ports located on the I/O panel and two additional USB headers located on the motherboard. The headers, labeled USB3/USB4, can be used to provide front side USB access (cables not included). See the tables on the right for pin definitions.

USB1/2 Pin Definitions

Pin#	Definition
1	+5V
2	PO-
3	PO+
4	Ground

USB3/4 Pin Definitions

Pin Number	Definition	Pin Number	Definition
1	+5V	2	+5V
3	PO-	4	PO-
5	PO+	6	PO+
7	Ground	8	Ground
		10	Ground

SMB

A System Management Bus header is located at J25. Connect the appropriate cable here to utilize SMB on your system.

**SMB Header
Pin Definitions (J15)**

Pin Number	Definition
1	Data
2	Ground
3	Clock
4	No Connection

Wake-On-LAN

The Wake-On-LAN header is designated WOL on the motherboard. See the table on the right for pin definitions. You must enable the LAN Wake-Up setting in BIOS to use this function. (You must also have a LAN card with a Wake-On-LAN connector and cable to use this feature.)

Wake-On-LAN Pin Definitions (WOL)

Pin Number	Definition
1	+5V Standby
2	Ground
3	Wake-up

Wake-On-Ring

The Wake-On-Ring header is designated WOR. This function allows your computer to receive and be "awakened" by an incoming call when in the suspend state. See the table on the right for pin definitions. You must also have a WOR card and cable to use this feature.

Wake-On-Ring Pin Definitions (WOR)

Pin Number	Definition
1	Ground
2	Wake-up

SATA LED

The SATA LED header is located on J37. This header is used to display all SATA activity. See the table on the right for pin definitions.

SATA LED Pin Definitions (J37)

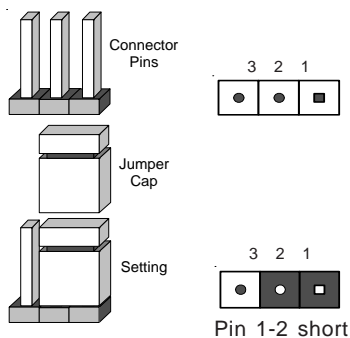
Pin Number	Definition
1	SATA1
2	SATA2
3	NC
4	NC
5	NC

5-10 Jumper Settings

Explanation of Jumpers

To modify the operation of the motherboard, jumpers can be used to choose between optional settings. Jumpers create shorts between two pins to change the function of the connector. Pin 1 is identified with a square solder pad on the printed circuit board. See the motherboard layout pages for jumper locations.

Note: On a two-pin jumper, "Closed" means the jumper is on both pins and "Open" means the jumper is either on only one pin or completely removed.



CMOS Clear

JBT1 is used to clear CMOS (which will also clear any passwords). Instead of pins, this jumper consists of contact pads to prevent accidentally clearing the contents of CMOS.

To clear CMOS, 1) First unplug the power cord(s) 2) With the power disconnected, short the CMOS pads with a metal object such as a small screwdriver 3) Remove the screwdriver (or shorting device) 4) Reconnect the power cord(s) and power on the system.

Note: Do not use the PW ON connector to clear CMOS.

Front Side Bus Speed

JP1 and JP2 are used to set the system (front side) bus speed for the processor(s). It is best to keep these jumpers set to Auto. These jumpers are used together with the CPU Clock setting in BIOS. See the table on the right for jumper settings.

**Front Side Bus Speed
(JP1, JP2)**

JP1	JP2	FSB Speed
Pins 1-2	Pins 1-2	Auto
Pins 2-3	Pins 2-3	100 MHz (x4)
NC	Pins 2-3	133 MHz (x4)
NC	NC	Reserved
Pins 2-3	NC	200 MHz (x4)

Note: NC stands for "No Connection".

USB Wake-Up

Use JPUSB to enable or disable USB Wake-Up, which allows you to wake up the system by depressing a key on the keyboard or by clicking the mouse when either is connected to the USB1 or USB2 port (only). Enable the jumper to allow the system to be woken up from an S1 or S3 state in Windows OS. See the table on the right for jumper settings. This feature works with the USB1 and USB2 ports only.

**USB Wake-Up
Jumper Settings
(JPUSB)**

Jumper Position	Definition
Pins 1-2	Disabled
Pins 2-3	Enabled

Keyboard Wake-Up

The JPWAKE jumper is used to allow the system to be woken up by depressing a key on the keyboard from an S1 or S3 state in Windows OS. See the table on the right for jumper settings. Your power supply must meet ATX specification 2.01 or higher and supply 720 mA of standby power to use this feature.

**Keyboard Wake-Up
Jumper Settings
(JPWAKE)**

Jumper Position	Definition
Pins 1-2	Disabled
Pins 2-3	Enabled

Watch Dog Enable/Disable

JP8 enables the Watch Dog function, a system monitor that takes action when a software application freezes the system. Jumping pins 1-2 will have WD reboot the system if a program freezes. Jumping pins 2-3 will generate a non-maskable interrupt for the program that has frozen. See the table on the right for jumper settings. Watch Dog must also be enabled in BIOS.

**Watch Dog
Jumper Settings (JP8)**

Jumper Position	Definition
Pins 1-2	WD to Reset
Pins 2-3	WD to NMI
Open	Disabled

Note: when Watch Dog is enabled, the user must write their own application software to disable the Watch Dog Timer.

SCSI Enable/Disable

The JPA3 jumper allows you to enable or disable the onboard SCSI. The normal (default) position is with pins 1 and 2 jumped to enable SCSI. See the table on the right for jumper settings.

**SCSI
Enable/Disable
Jumper Settings
(JPA3)**

Jumper Position	Definition
Pins 1-2	Enabled
Pins 2-3	Disabled

VGA Enable/Disable

J33 allows you to enable or disable the VGA port. The default position is pins 1 and 2 jumped to enable VGA. See the table on the right for jumper settings.

**VGA Enable/Disable
Jumper Settings
(J33)**

Jumper Position	Definition
Pins 1-2	Enabled
Pins 2-3	Disabled

Keylock Enable/Disable

The Keylock header is located at J36. Close the jumper to enable the Keylock function and leave the jumper open (off) to disable it. The default setting is open. See the table on the right for jumper settings.

**Keylock
Enable/Disable
Jumper Settings
(J36)**

Jumper Position	Definition
Closed	Enabled
Open	Disabled

Speaker Jumper

The speaker jumper is located on J18 and allows you to choose between using the internal or external speakers. For the internal speaker, jump pins 3 and 4. To use an external speaker, place the speaker cable's header on all four pins. See the table on the right.

**Speaker
Jumper Settings (J18)**

Pins	Definition
1 through 4	External Spkr
3 and 4	Internal Spkr

System Power Force On

Jumper JP20 allows you to enable or disable the Force-Power-On function. If enabled, system power will always stay on automatically. If disabled, the user needs to press the power button to power on the system.

**System Power Force On
Jumper Settings
(JP20)**

Jumper Position	Definition
Closed	Force On
Open	Disabled

OH Fan Force Power On

Jumper JP3 allows you to enable or disable the Overheat (OH) Fan Force Power On function. If enabled, the OH Fan will always stay on automatically. If disabled, the fan only activates according to temperature conditions.

**OH Fan Force On
Jumper Settings
(JP3)**

Jumper Position	Definition
Closed	Force On
Open	Disabled

GLAN2 Enable/Disable

Change the setting of jumper JPL2 to enable or disable the Gigabit LAN2 port on the motherboard. See the table on the right for jumper settings. The default setting is enabled. (LAN1 is enabled/disabled via BIOS.)

**GLAN2
Enable/Disable
Jumper Settings
(JPL2)**

Jumper Position	Definition
Pins 1-2	Enabled
Pins 2-3	Disabled

5-11 Parallel Port, SCSI and IDE Drive Connections

Use the following information to connect the IDE hard disk drive cables.

- A red mark on a wire typically designates the location of pin 1.
- The 80-wire ATA100/66 IDE hard disk drive cable that came with your system has two connectors to support two drives. This special cable should be used to take advantage of the speed this new technology offers. The blue connector connects to the onboard IDE connector interface and the other connector(s) to your hard drive(s). Consult the documentation that came with your disk drive for details on actual jumper locations and settings for the hard disk drive.

Parallel Port Connector

The parallel port is located on J8.

See the table below for pin definitions.

**Parallel (Printer) Port Pin Definitions
(J8)**

Pin Number	Function	Pin Number	Function
1	Strobe-	2	Auto Feed-
3	Data Bit 0	4	Error-
5	Data Bit 1	6	Init-
7	Data Bit 2	8	SLCT IN-
9	Data Bit 3	10	GND
11	Data Bit 4	12	GND
13	Data Bit 5	14	GND
15	Data Bit 6	16	GND
17	Data Bit 7	18	GND
19	ACK	20	GND
21	BUSY	22	GND
23	PE	24	GND
25	SLCT	26	NC

IDE Connectors

There are no jumpers to configure the onboard IDE interfaces J2 and J5. See the table below for pin definitions. You must use the ATA100/66 cable included with your system to benefit from the ATA100/66 technology.

**IDE Connector Pin Definitions
(J2, J5)**

Pin Number	Function	Pin Number	Function
1	Reset IDE	2	GND
3	Host Data 7	4	Host Data 8
5	Host Data 6	6	Host Data 9
7	Host Data 5	8	Host Data 10
9	Host Data 4	10	Host Data 11
11	Host Data 3	12	Host Data 12
13	Host Data 2	14	Host Data 13
15	Host Data 1	16	Host Data 14
17	Host Data 0	18	Host Data 15
19	GND	20	Key
21	DRQ3	22	GND
23	I/O Write-	24	GND
25	I/O Read-	26	GND
27	IOCHRDY	28	BALE
29	DACK3-	30	GND
31	IRQ14	32	IOCS16-
33	Addr 1	34	GND
35	Addr 0	36	Addr 2
37	Chip Select 0	38	Chip Select 1-
39	Activity	40	GND

Ultra320 SCSI Connectors

Refer to the table below for the pin definitions of the Ultra320 SCSI connectors located at JA1 and JA2.

**68-pin Ultra320 SCSI Connectors
(JA1, JA2)**

Connector Contact Number	Signal Names	Connector Contact Number	Signal Names
1	+DB (12)	35	-DB (12)
2	+DB (13)	36	-DB (13)
3	+DB (14)	37	-DB (14)
4	+DB (15)	38	-DB (15)
5	+DB (P1)	39	-DB (P1)
6	+DB (0)	40	-DB (0)
7	+DB (1)	41	-DB (1)
8	+DB (2)	42	-DB (2)
9	+DB (3)	43	-DB (3)
10	+DB (4)	44	-DB (4)
11	+DB (5)	45	-DB (5)
12	+DB (6)	46	-DB (6)
13	+DB (7)	47	-DB (7)
14	+DB (P)	48	-DB (P)
15	GROUND	49	GROUND
16	DIFFSENS	50	GROUND
17	TERMPWR	51	TERMPWR
18	TERMPWR	52	TERMPWR
19	RESERVED	53	RESERVED
20	GROUND	54	GROUND
21	+ATN	55	-ATN
22	GROUND	56	GROUND
23	+BSY	57	-BSY
24	+ACK	58	-ACK
25	+RST	59	-RST
26	+MSG	60	-MSG
27	+SEL	61	-SEL
28	+C/D	62	-C/D
29	+REQ	63	-REQ
30	+I/O	64	-I/O
31	+DB (8)	65	-DB (8)
32	+DB (9)	66	-DB (9)
33	+DB (10)	67	-DB (10)
34	+DB (11)	68	-DB (11)

5-12 Installing the Operating System and Software

New Operating System-Windows XP Installation

- a. Insert the Microsoft Windows XP Setup CD in the CD Driver. The system will start booting up from the CD.
 - b. Press the <F6> key when the message "Press F6 if you need to install a third party SCSI or RAID driver" is displayed.
 - c. When the Windows XP Setup screen appears, press "S" to specify additional device(s).
 - d. Insert the driver diskette labeled "Intel AA RAID XP Driver for ICH5R" into Drive A and press the <Enter> key.
 - e. Choose Intel(R)82801ER *SATA RAID Controller* from the list indicated in the XP Setup Screen and press the <Enter> key.
 - f. Press the <Enter> key to continue the installation process. (If you need to specify any additional devices to be installed, do it at this time.) Once all devices are specified, press the <Enter> key to continue with the installation.
 - g. From the Windows XP Setup screen, press the <Enter> key. The XP Setup will automatically load all device files and then continue the Windows XP installation.
- (Note: the current version of the ICH5R SATA RAID Utility can only support the Windows XP Operating System.)
- h. After the Windows XP installation is completed, the system will automatically reboot.
 - i. Insert the Supermicro CD that came with the system into the CD-ROM drive during the system reboot, and the following screen will appear:

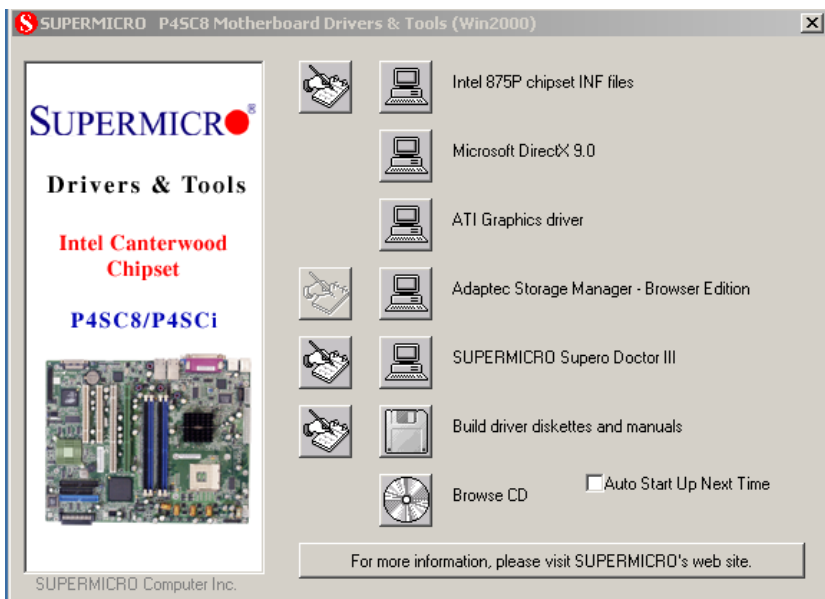


Figure 5-7. Driver/Tool Installation Display Screen

Click the icons showing a hand writing on paper to view the readme files for each item. Click the computer icons to the right of these items to install each item (from top to the bottom) one at a time. **After installing each item, you must reboot the system before moving on to the next item on the list.** You should install everything here except for the SUPER Doctor utility, Intel LDCM and the LAN/SCSI driver diskettes, which are optional. The bottom icon with a CD on it allows you to view the entire contents of the CD.

Chapter 6

Advanced Chassis Setup

This chapter covers the steps required to install components and perform maintenance on the SC813MS-300C chassis. For component installation, follow the steps in the order given to eliminate the most common problems encountered. If some steps are unnecessary, skip ahead to the step that follows.

Tools Required

The only tool you will need to install components and perform maintenance is a Philips screwdriver.

6-1 Static-Sensitive Devices

Electric Static Discharge (ESD) can damage electronic components. To prevent damage to any printed circuit boards (PCBs), it is important to handle them very carefully. The following measures are generally sufficient to protect your equipment from ESD discharge.

Precautions

- Use a grounded wrist strap designed to prevent static discharge.
- Touch a grounded metal object before removing any board from its anti-static bag.
- Handle a board by its edges only; do not touch its components, peripheral chips, memory modules or gold contacts.
- When handling chips or modules, avoid touching their pins.
- Put the motherboard, add-on cards and peripherals back into their anti-static bags when not in use.
- For grounding purposes, make sure your computer chassis provides excellent conductivity between the power supply, the case, the mounting fasteners and the motherboard.

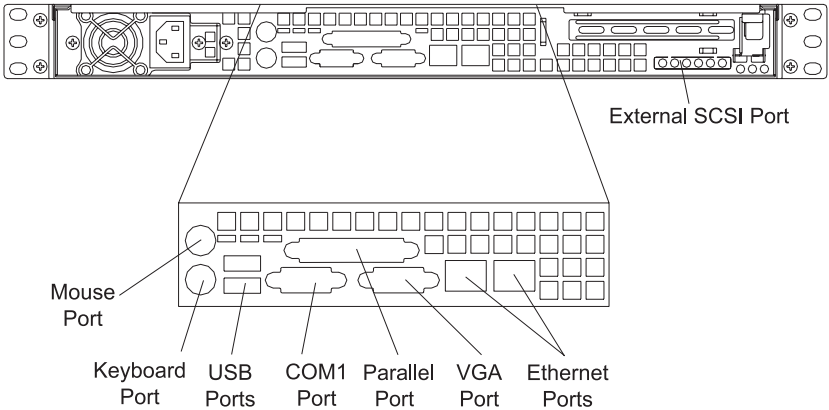
Unpacking

The motherboard is shipped in antistatic packaging to avoid static damage. When unpacking the board, make sure the person handling it is static protected.

Figure 6-1. Chassis Front View



Figure 6-2. Chassis Rear View



6-2 Control Panel

The control panel (located on the front of the chassis) must be connected to the JF1 connector on the motherboard to provide you with system control buttons and status indicators. These wires have been bundled together in a ribbon cable to simplify the connection. Connect the cable from JF1 on the motherboard to JP4 on the Control Panel PCB (printed circuit board). Make sure the red wire plugs into pin 1 on both JF1 and JP4. Pull all excess cabling out of the airflow path. The LEDs inform you of system status. See Chapter 3 for details on the LEDs and the control panel buttons. Details on JF1 can be found in Chapter 5.

6-3 System Fans

Three 4-cm high-performance fans provide the cooling for the SuperServer 5013C-M8. The chassis includes air seals under the fans and at the chassis cross section, which separates the drive bay area from the motherboard area of the chassis to promote better airflow. It is highly important that the air seal is properly installed and making a good seal in order for the cooling air to circulate properly through the chassis.

System Fan Failure

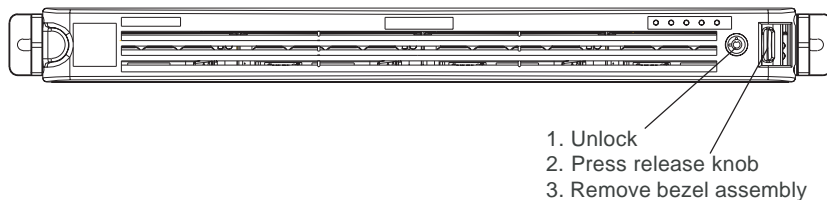
The fans run at a full 100% rpm. If a fan fails, you will need to have it replaced with the same type. Contact your vendor or Supermicro for information on replacement fans.

6-4 Drive Bay Installation/Removal

Removing the Front Bezel

If your system has a front bezel (optional) attached to the chassis, you must first remove it to gain access to the drive bays. To remove the bezel, first unlock the front of the chassis then press the release knob (see Figure 6-3). Carefully remove the bezel with both hands. A filter located within the bezel can be removed for replacement/cleaning. It is recommended that you keep a maintenance log of filter cleaning/replacement, since its condition will affect the airflow throughout the whole system.

Figure 6-3. Removing the Front Bezel



Accessing the Drive Bays

SCSI Drives: Because of their hotswap capability, you do not need to access the inside of the chassis or power down the system to install or replace SCSI drives. Proceed to the next step for instructions.

CD-ROM Drive: For installing/removing a CD-ROM drive, you will need to gain access to the inside of the 5013C-M8 by removing the top cover of the chassis. Proceed to the "CD-ROM Drive Installation" section later in this chapter for instructions.

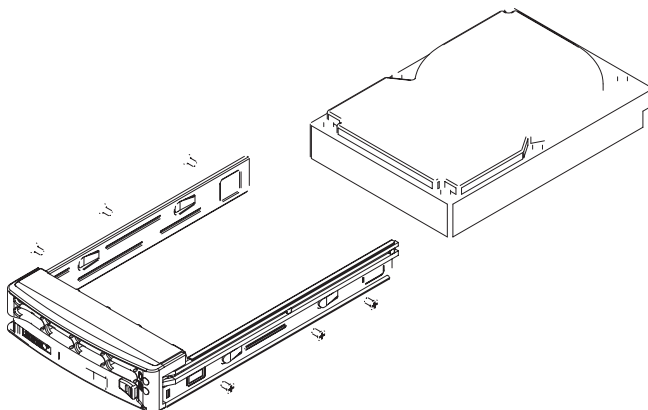
Note: Only a "slim" CD-ROM drive will fit into the 5013C-M8.

SCSI Drive Installation

1. Mounting a SCSI drive in a drive carrier

The SCSI drives are mounted in drive carriers to simplify their installation and removal from the chassis. These carriers also help promote proper airflow for the SCSI drive bays. For this reason, even empty carriers without SCSI drives installed must remain in the chassis. To add a new SCSI drive, install a drive into the carrier with the printed circuit board side toward the carrier so that the mounting holes align with those in the carrier. Secure the drive to the carrier with screws, as shown in Figure 6-4.

Figure 6-4. Mounting a Drive in a Carrier



2. Installing/removing hot-swap SCSI drives

Four SCSI drive bays are located in the front of the chassis, making them easily accessible for installation and removal. These SCSI drives are hot-swap units, meaning they can be installed and removed without powering down the system. To remove, first push the release button located beside the drive LEDs, then swing the handle fully out and use it to pull the unit straight out.



Use caution when working around the SCSI backplane. Do not touch the backplane with any metal objects and make sure no ribbon cables touch the backplane or obstruct the holes, which aid in proper airflow.



Important: Regardless of how many SCSI drives are installed, all four drive carriers must remain in the drive bays to maintain proper airflow.

SCA Backplane

The SCSI drives plug into an SCA backplane that provides power, SCSI ID and bus termination. A RAID controller can be used with the SCA backplane to provide data security. The operating system you use must have RAID support to enable the hot-swap capability of the SCSI drives. The SCA SCSI backplane is already preconfigured, so there are no jumpers or switches present on it.

CD-ROM Drive Installation

The top cover of the chassis must be opened to gain full access to the CD-ROM drive bay. The 5013C-M8 accommodates only slim CD-ROM drives. Side mounting brackets are needed to mount a slim CD-ROM drive in the 5013C-MT server.

You must power down the system before installing or removing a CD-ROM drive.

First, release the retention screws that secure the server unit to the rack. Grasp the two handles on either side and pull the unit straight out until it locks (you will hear a "click"). Next, depress the two buttons on the top of the chassis to release the top cover and at the same time, push the cover away from you until it stops. You can then lift the top cover from the chassis to gain full access to the inside of the server.

With the chassis cover removed, unplug the power and data cables from the drive. Then locate the locking tab at the rear of the drive. It will be on the left side of the drive when viewed from the front of the chassis. Pull the tab away from the drive and push the drive unit out the front of the chassis. Add a new drive by following this procedure in reverse order. You may hear a faint *click* of the locking tab when the drive is fully inserted. Remember to reconnect the data and power cables to the drive before replacing the chassis cover and restoring power to the system.

6-5 Power Supply

The SuperServer 5013C-M8 has a single 300 watt power supply. This power supply has the capability of operating at 100 or 240 input volts. Depress the main power button on the front of the chassis and then unplug the AC power cord to completely remove power from the system before removing the power supply.

Power Supply Failure

If the power supply unit fails, the system will shut down and you will need to replace the power supply unit. Replacement units can be ordered directly from Supermicro (PWS-0054 - see contact information in Chapter 1).

Replacing the Power Supply

1. Accessing the inside of the SuperServer 5013C-M8

To replace a power supply, you must first remove the top chassis cover. To do so, first release the retention screws that secure the unit to the rack. Grasp the two handles on either side and pull the unit straight out until it locks (you will hear a "click"). Next, depress the two buttons on the top of the chassis to release the top cover and push it away from you. You can then lift the top cover from the chassis to gain full access to the inside of the server.

2. Removing the power supply

First unplug the power cord from the system. To remove the failed power unit, remove the two screws on the back of the power supply, which secure it to the chassis. You can then lift the unit straight out of the chassis. (The power cord should have already been removed.)

3. Installing a new power supply

Replace the failed unit with another unit of the same wattage. It is highly recommended to replace it with the exact same power supply. Carefully insert the new unit into position in the chassis and secure it with the two screws at the rear of the unit. Before reconnecting the power cord, make sure the power switch on the power supply is in the off position. Then reconnect the power cord, replace the chassis top cover and push the unit back into the rack. Finish by turning the power switch on the power supply on, and then depress the power button on the front of the system.

Notes

Chapter 7

BIOS

7-1 Introduction

This chapter describes the AwardBIOS for the P4SC8. The Award ROM BIOS is stored in a Flash chip and can be easily upgraded using a floppy disk-based program.

Note: Due to periodic changes to the BIOS, some settings may have been added or deleted and might not yet be recorded in this manual. Refer to the Manual Download area of our web site for any changes to BIOS that are not reflected in this manual.

System BIOS

The BIOS is the Basic Input Output System used in all IBM® PC, XT™, AT®, and PS/2® compatible computers. The AwardBIOS Flash chip stores the system parameters, such as amount of memory, type of disk drives and video displays, etc. CMOS requires very little power. When the computer is turned off, a back-up battery provides power to the BIOS Flash chip, enabling it to retain the system parameters. Each time the computer is powered-on, the computer is then configured with the values stored in the BIOS ROM by the system BIOS, which gains control when the computer is powered on.

How To Change the Configuration Data

The CMOS information that determines the system parameters may be changed by entering the BIOS Setup utility. This Setup utility can be accessed by pressing at the appropriate time during system boot.

Starting the Setup Utility

Normally, the only visible POST (Power On Self Test) routine is the memory test. As the memory is being tested, press the <Delete> key to enter the main menu of the BIOS Setup utility. From the main menu, you can access the other setup screens, such as the Chipset and Power menus. Section 7-3 gives detailed descriptions of each parameter setting in the Setup utility.

7-2 Running Setup

**Optimal default settings are in bold text unless otherwise noted.*

The BIOS setup options described in this section are selected by choosing the appropriate text from the Main BIOS Setup screen. All displayed text is described in this section, although the screen display is often all you need to understand how to set the options (see on next page).

When you first power on the computer, the AwardBIOS™ is immediately activated.

While the BIOS is in control, the Setup program can be activated in one of two ways:

1. By pressing immediately after turning the system on, or
2. When the following message appears briefly at the bottom of the screen during the POST (Power On Self-Test), press the key to activate the Main Setup Menu.

Press DEL to enter SETUP

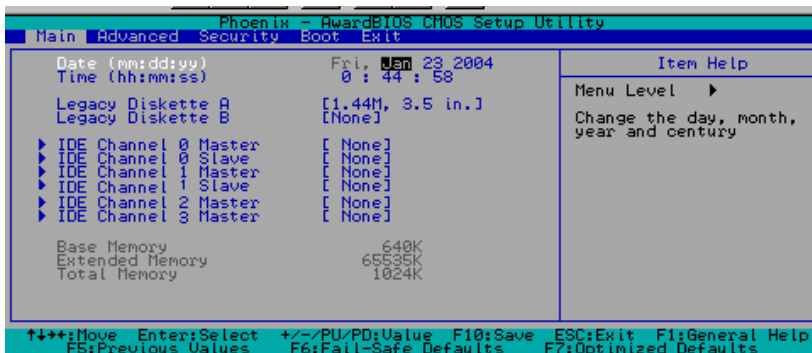
7-3 Main BIOS Setup

All Main Setup options are described in this section. The Main BIOS Setup screen is displayed below.

Use the <Up> <Down> arrow keys or the <Tab> key to move among the different settings in the above menu.

Press the <Esc> key to exit the CMOS Setup Menu and use the <Left> <Right> arrow keys to enter the other categories of BIOS settings. The next section is described in detail to illustrate how to navigate through the menus.

Main BIOS Setup Menu



Date/Time

Set the system date and time. Key in the correct information in the "mm", "dd" and "yy" fields. Press the "Enter" key to save the data.

Legacy Diskette A

This setting allows the user to set the type of floppy disk drive installed as diskette A. The options are "None", "360Kb, 5.25 in", "1.2MB, 5.25 in", "720Kb, 3.5 in", "**1.44 MB, 3.5 in**" and "2.88MB 3.5 in".

Legacy Diskette B

This setting allows the user to set the type of floppy disk drive installed as diskette B. The options are "**None**", "360Kb, 5.25 in", "1.2MB, 5.25 in", "720Kb, 3.5 in", "1.44 MB, 3.5 in" and "2.88MB 3.5 in".

► IDE Channel 0 Master/Slave, IDE Channel 1 Master/Slave, IDE Channel 2 Master, IDE Channel 3 Master

These settings allow the user to set the parameters of the IDE Channel 0 Master/Slave, IDE Channel 1 Master/Slave, IDE Channel 1 Master/Slave, IDE Channel 2 Master, IDE Channel 3 Master slots. Hit <Enter> to activate the sub-menu screen for detailed options of these items. Set the correct configurations accordingly.

IDE HDD Auto-Detection

This option allows the user to determine the manner in which the AwardBIOS sets the settings for the IDE Primary Master Device. The options are "None", "**Auto**" and "Manual."

IDE Channel 0 Master/Slave, IDE Channel 1 Master/Slave, IDE Channel 2 Master, IDE Channel 3 Master

Press the <Auto> key to activate the function of 'IDE HDD Auto-Detection', which will allow the BIOS to automatically detect the status of the IDE HDD installed in the system, such as the size, the number of cylinders, the configurations of items such as Head, Precomp, Landing Zone and Sector. The options are "None", "**Auto**" and "Manual."

Access Mode

This item determines the location through which the AwardBIOS accesses the IDE Primary Master Device. The settings are "CHS", "LBA", "Large" and "**Auto**".

Base Memory/Extended Memory/Total Memory

These are displays that inform you how much of each type of memory is recognized as being present in the system.

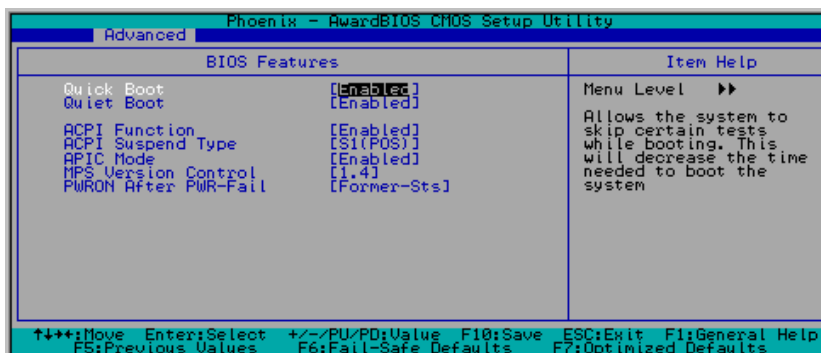
7-4 Advanced BIOS Setup

Choose Advanced BIOS Setup from the Award BIOS main menu with the Left/Right arrow keys. You should see the following display. Select one of the items in the left frame of the screen to go to the sub screen for that item. Advanced BIOS Setup options are displayed by highlighting the option using the arrow keys. All Advanced BIOS Setup options are described in this section.



7-4.1 Advanced BIOS Features

When the item of Advanced BIOS Features is highlighted, press the <Enter> key to activate the screen below:



Quick Boot

If enabled, this feature allows the system to skip certain tests while booting. This will decrease the time needed to boot the system. The settings are "**Enabled**" and "Disabled".

Quiet Boot

This feature allows the user to activate the function of "Quiet Boot". The options are: "**Enabled**" and "Disabled".

ACPI Function

Select "Enabled" to activate the function of BIOS Support for Advanced Configuration and Power Interface features. The settings are "**Enabled**" or "Disabled".

ACPI Suspend Type

If enabled, the option allows the user to determine the ACPI Suspend type. The options are "**S1(POS)**", "S3(STR)" and S1&S3.

APIC Mode

This setting allows you to **Enable** or Disable APIC. APIC is used to assign interrupt signals to a specific processor on multi-processor system and provides IRQs beyond the conventional 16 under Windows 2000 or XP. It has no effect on single processor systems.

MPS Version Control

This setting allows you to state the MPS version for your operating system. Options are "1.1" and "**1.4**".

PWRON After PWR-Fail

This setting allows the user to specify how the system will respond when power is reapplied after the system has gone down due to a power failure. The options are "**Off**", "On" and "Former-Sts (Former Status)".

7-4.2 Advanced Chipset Control

Access the submenu to make changes to the following settings.



ECC Configuration

This setting allows you to enable or disable ECC (Error Correction and Checking). The options are "ECC" and "Non-ECC".

CSA LAN (Gigabit LAN)

Select "Enabled" to activate the CSA LAN. The options are "Enabled" and "Disabled".

SATA Mode

This setting allows you to set the SATA Mode RAID via BIOS. The options are "RAID" and "IDE".

On-Chip Serial ATA

This setting allows you to configure On-Chip Chipset Configurations. Select "Disabled" to disable the SATA controller. If "Auto" is selected, BIOS will automatically configure the settings for SATA controller. Select "Combined Mode" to combine both Parallel ATA (PATA) and Serial ATA (SATA) functions (with a maximum of two IDE drives available for each channel.) If "Enhanced Mode" is selected, both SATA and PATA are supported (with a maximum of six IDE drives available.) If "SATA Only" is selected, SATA will operate in the Legacy Mode. The options are "Disabled", "Auto", "Combined Mode", "Enhanced Mode" and "SATA only".

Serial ATA Port0/1 mode

This setting allows you to configure Serial ATA Port0/1 modes. The options are "Primary Master", "Primary Slave", "Secondary Master", "Secondary Slave", "SATA0 Master" and "SATA1 Master".

USB Controller

This setting allows you to enable or disable the USB controller. The options are "Enabled" and "Disabled".

USB 2.0 Controller

This setting allows you to enable or disable the USB 2.0 (EHCI) controller. The options are "Enabled" and "Disabled".

USB Legacy Support

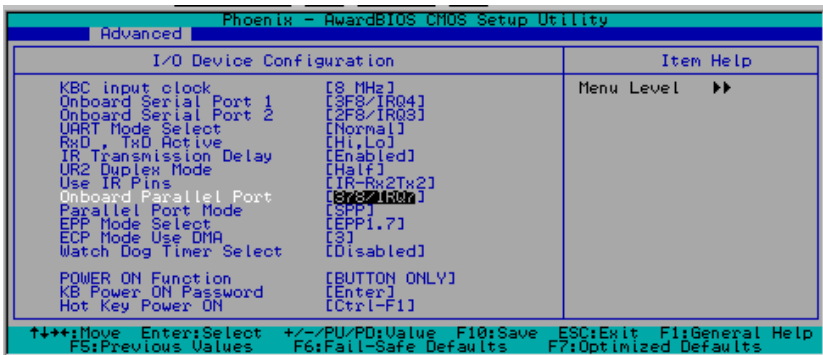
This setting allows you to enable or disable the USB and/or Keyboard/Mouse under POST and DOS. The options are "Disabled" and "Enabled".

CPU THRM-Throttling

THRM throttling is used to lower power consumption and reduce the heat generated by the CPU. The options for this setting are "87.5%", "75%", "62.5%", "50%", "37.5%", "25%" and "12.5%".

7-4.3 I/O Device Configuration

Choose I/O Device Configuration from the Award BIOS main menu with the Left/Right arrow keys. You should see the following display:



Keyboard Input Clock

This setting allows you to set the speed of the keyboard. The options are "6 MHz", "8 MHz", "12 MHz" and "16 MHz".

Onboard Serial Port1/Onboard Serial Port2

This setting allows the user to set the address and the corresponding IRQ for Serial Ports 1 and 2. The options are "Disabled", "3F8/IRQ4", "2F8/IRQ3", "3E8/IRQ4", "2E8/IRQ3" and "Auto". The default settings are "3F8/IRQ4" for Serial Port 1 and "2F8/IRQ3" for Serial Port 2.

UART Mode Select

This setting allows the user to select the UART mode for the BIOS. The options are "IrDA", "ASKIR" and "**Normal**".

RxD, TxD Active

This allows the user to change the settings for the "RxD, TxD Active" function. The options are "Hi, Hi", "**Hi, Lo**", "Lo, Hi" and "Lo, Lo".

IR Transmission Delay

If "Enabled", the transmission of IR (infrared) signals will be delayed. The options are "**Enabled**" and "Disabled".

UR2 Duplex Mode

This setting sets the UR2 Duplex Mode. The options are "Full" and "**Half**".

Use IR Pins

This item sets the usage of the IR pins. The options are "RxD2, TxD2" and "**IR-Rx2Tx2**".

Onboard Parallel Port

This setting allows the user to set the address and the corresponding IRQ for the onboard parallel port. The options are "Disabled", "**378/IRQ7**", "278/IRQ5" and "3BC/IRQ7".

Parallel Port Mode

This setting sets the mode for the onboard Parallel port. The options are "**SPP**," "EPP", "ECP" "ECP+EPP" and "Normal".

EPP Mode Select

This setting allows the user to select the EPP port type. The options are "EPP 1.9" and "**EPP 1.7**".

ECP Mode Use DMA

This setting allows the user to select the DMA channel for the ECP mode (port) to use. The options are "1" and "**3**".

Watch Dog Timer Select

This setting allows you to select the setting for the Watch Dog Timer. The options are "**Disabled**", "10 Sec", "20 Sec", "30 Sec", "40 Sec", "1 min", "2 min" and "4 min".

Power On Function

This setting allows the user to decide which method to use to power on the system. The options are "Password", "Hot Key", "Mouse Left", "Mouse Right", "Any Key" and **"Button Only"**.

KB Power On Password

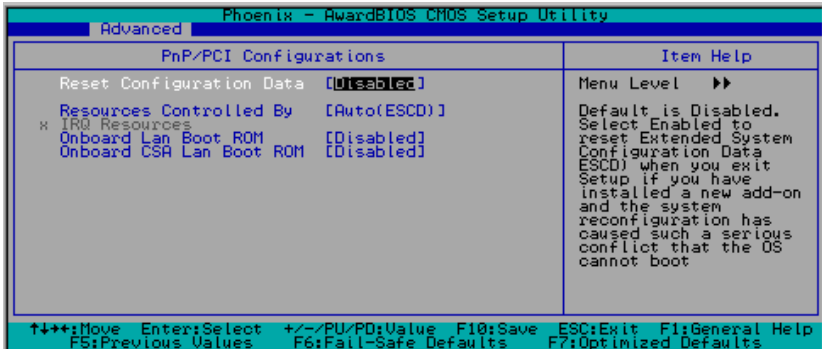
This setting allows the user to enter the Password when the system is powered on via keyboard.

Hot Key Power On

This setting allows the user to decide which hot-keys to use in order to power on the system. The options are **"Ctrl-F1"**, "Ctrl-F2, Ctrl-F3", "Ctrl-F4", "Ctrl-F5", "Ctrl-F6", "Ctrl-F7", "Ctrl-F8", "Ctrl-F9", "Ctrl-F10", "Ctrl-F11" and "Ctrl-F12".

7-4.4 PnP Configuration

Choose PCI/PnP Configurations from the Award BIOS main menu with the Left/ Right arrow keys. You should see the following display:



PnP OS Install

Enter **"Yes"** if you are using an OS that is PnP (Plug and Play) -compatible. Enter **"No"** if your OS does not support PnP.

Reset Configuration Data

Enabling this setting resets the extended system configuration data when you exit setup. Do this when you have installed a new add-on and the system reconfiguration has caused such a serious conflict that the OS cannot reboot the system. The options are "Enabled" and **"Disabled"**.

Resources Controlled By

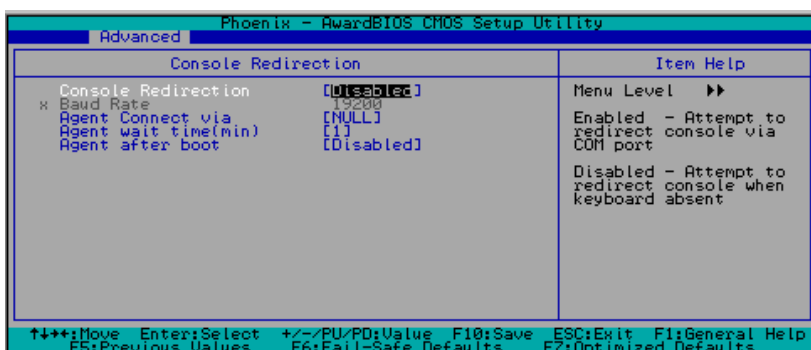
This setting allows BIOS to automatically configure all boot and Plug and Play compatible devices. If you choose Auto, you cannot select the IRQ, DMA and memory base address fields because BIOS automatically assigns them. The options are "Auto <ESCD>" and "Manual".

Onboard CSA LAN Boot

Select "Enabled" to enable the Boot ROM embedded in the Onboard CSA LAN Chip. The options are: "Enabled" and "Disabled".

7-4.5 Console Redirection

Choose Console Redirection from the Award BIOS main menu with the Left/ Right arrow keys. You should see the following display:



Console Redirection

Select "Enabled" to redirect the console via the COM port. Select "Disabled" to redirect the Console when the keyboard is absent. The options are "Enabled" and "Disabled".

Agent Connect Via

This feature allows the user to set the connection mode for Console Redirection. When "Null" is entered, Console Redirection will be set to a direct connection.

Agent Wait Time

This feature allows the user to set the timeout for the connection. The options are "1 (Min)", "2 (Min)", "4 (Min)" and "8 (Min)".

Agent after Boot

Select "Disabled" to allow the Agent of Console Redirection to continue running after OS bootup. The Options are "Enabled" and "**Disabled**".

7-4.6 Hardware Monitor

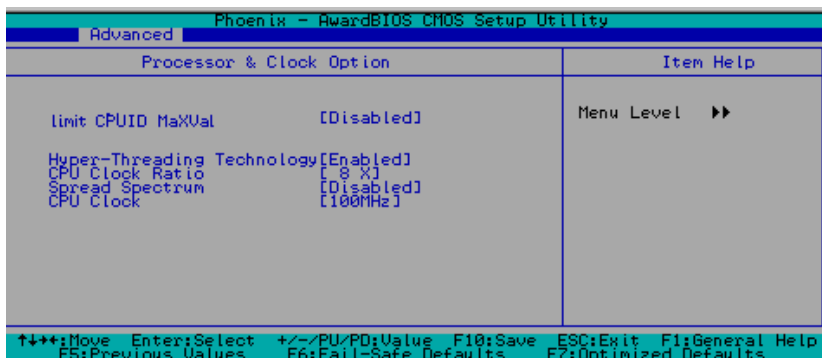
Choose Hardware Monitor from the Award BIOS main menu with the Left/Right arrow keys. You should see the following display:



CPU Warning Temperature

This allows you to set the CPU warning temperature. If the CPU temperature reaches this threshold, an alarm will activate and a warning message will be displayed onscreen. The options are "Disabled", "60° C/140° F", "65° C/149° F", "70° C/158° F", "**75° C/167° F**", "80° C/176° F" and "85° C/185° F".

7-4.7 Processor & Clock Options



Limit CPUID MaxVal

This feature allows the user to set a limit for the CPUID Maximum Value. The value can be set from 1 to 3. The options are "Enabled" and "**Disabled**". (For Windows XP, this setting should be set to "Disabled.")

Hyper-Threading Technology

Select "Enabled" to activate the hyper-threading function of the CPU(s) to make each CPU appear as if there were two CPUs to any programs that support it (you must have OS support also). The settings are "Disabled" and "**Enabled**".

CPU Clock Ratio

Key in a number between 8x to 50x to set the clock ratio of the processor. The default setting is **8x**. (8x is only available for retail CPUs.)

Spread Spectrum

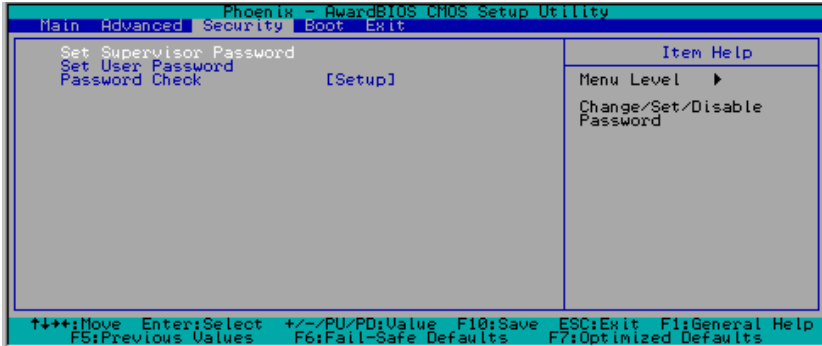
Spread Spectrum is a technique used to stabilize a system by reducing the level of ElectroMagnetic Interference. The options are "Enabled" and "**Disabled**".

CPU Clock

Key in a number between 100 and 233 to set the CPU clock (MHz). Supermicro does not recommend or make any guarantees with CPU overclocking. The default setting is "**200 MHz**".

7-5 Security

Choose Security from the Award BIOS main menu with the Left/Right arrow keys. You should see the following display:



Set Supervisor Password

When the item "Set Supervisor Password" is highlighted on the above screen, press the <Enter> key. When prompted, type the Supervisor Password in the dialogue box to set or to change the Supervisor Password.

Set User Password

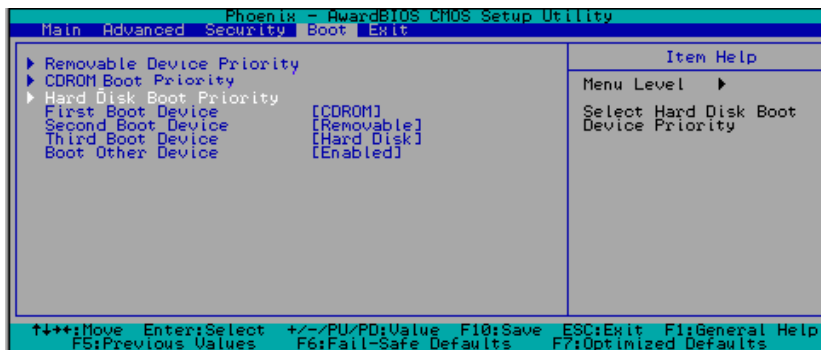
When the item "Set User Password" is highlighted on the above screen, press the <Enter> key. When prompted, type the User Password in the dialogue box to set or to change the User Password.

Password Check

This setting allows the user to determine if the password is required every time when the system boots up or if the password is required only when you enter the CMOS setup. The options are "System" and "**Setup**".

7-6 Boot

Choose Boot from the Award BIOS main menu with the Left/Right arrow keys. You should see the following display:



▶ Removable Device Priority

This setting allows you to set the priority of removable devices. The options are "Floppy Disks", "LS120", "Zip 100", "USB-FDD0", "USB-FDD1", "USB-ZIP0" and "USB-ZIP1".

▶ Hard Disk Boot Priority

This item allows the user to select the Boot Priority of the following Hard Disk Devices: 1. Pri Master:, 2. Pri Slave:, 3. Sec Master:, 4. Sec Slave:, 5. USBHDD0:, 6. USBHDD1:, 7. USBHDD2:, and Bootable Add-In cards.

▶ CDROM Boot Priority

This item allows the user to specify the boot sequence of the available CDROM Devices.

First Boot Device

This item allows the user to set the first boot-up device. The options are "Removable", "Hard Disks", "CDROM", "Legacy LAN", and "Disabled".

Second Boot Device

This item allows the user to set the second boot-up device. The options are "**Removable**", "Hard Disks", "CDROM", "Legacy LAN" and "Disabled".

Third Boot Device

This item allows the user to set the Third boot-up device. The options are "Removable", "**Hard Disks**", "CDROM", "Legacy LAN" and "Disabled".

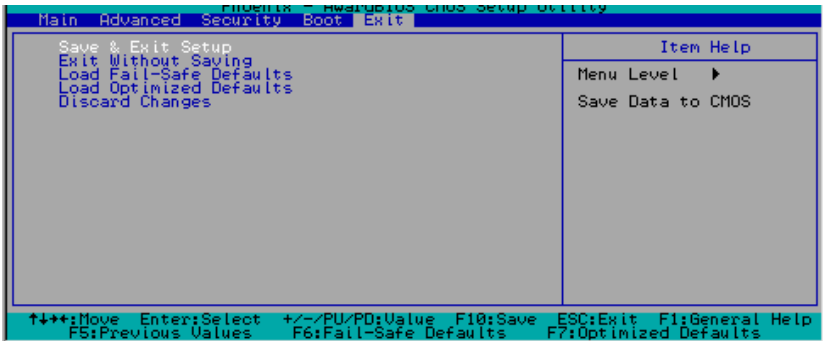
Boot Other Device

If enabled, this option enables the BIOS to load the OS from another device rather than the ones that have been specified as the first, second and third boot up devices. The settings are "**Enabled**" and "Disabled".

7-7 Exit

Choose Exit from the Award BIOS main menu with the Left/Right arrow keys.

You should see the following display:



Save & Exit Setup

When the item "Save & Exit Setup" is highlighted, press <Enter> to save the changes you've made in the BIOS program (CMOS) and exit. Your system should, then, continue with the boot-up procedure.

Exit without Saving

When the item "Exit without Saving" is highlighted, press <Enter> to exit the Setup routine without saving any changes you may have made. Your system should then continue with the boot-up procedure.

Load Fail-Safe Defaults

Highlight this item and hit <Enter> to load the default settings for all items in the BIOS Setup. These are the safest settings to use.

Load Optimized Defaults

Highlight this item and hit <Enter> to load the optimized settings for all items in the BIOS Setup. These settings provide you with optimal system performance.

Discard Changes

When the item "Discard Changes" is highlighted, press <Enter> to discard any changes you made to the BIOS settings and to stay in BIOS Setup. Your system should then continue with the boot-up procedure.

Appendix A BIOS POST Messages

During the Power-On Self-Test (POST), the BIOS will check for problems. If a problem is found, the BIOS will activate an alarm or display a message. The following is a list of such BIOS messages.

Beeps

1 long beep

1 long beep+2 short beeps

Error Message

Memory Modules Errors

VGA Errors

Notes

Appendix B BIOS POST Codes

This section lists the POST (Power On Self Testing) Codes for the Award BIOS.

POST (hex)	Description
CFh	Test CMOS R/W functionality.
C0h	Early chipset initialization: -Disable shadow RAM -Disable L2 cache (socket 7 or below) -Program basic chipset registers
C1h	Detect memory -Auto-detection of DRAM size, type and ECC. -Auto-detection of L2 cache (socket 7 or below)
C3h	Expand compressed BIOS code to DRAM
C5h	Call chipset hook to copy BIOS back to E000 & F000 shadow RAM.
0h1	Expand the Xgroup codes locating in physical address 1000:0
02h	Reserved
03h	Initial Superio_Early_Init switch.
04h	Reserved
05h	1. Blank out screen 2. Clear CMOS error flag
06h	Reserved
07h	1. Clear 8042 interface 2. Initialize 8042 self-test
08h	1. Test special keyboard controller for Winbond 977 series Super I/O chips. 2. Enable keyboard interface.
09h	Reserved
0Ah	<ul style="list-style-type: none"> ● Disable PS/2 mouse interface (optional). ● Auto detect ports for keyboard & mouse followed by a port & interface swap (optional). ● Reset keyboard for Winbond 977 series Super I/O chips.
0Bh	Reserved
0Ch	Reserved
0Dh	Reserved
0Eh	Test F000h segment shadow to see whether it is R/W-able or not. If test fails, keep beeping the speaker.

POST (hex) Description

0Fh	Reserved
10h	Auto detect flash type to load appropriate flash R/W codes into the run time area in F000 for ESCD & DMI support.
11h	Reserved
12h	Use walking 1's algorithm to check out interface in CMOS circuitry. Also set real-time clock power status, and then check for override.
13h	Reserved
14h	Program chipset default values into chipset. Chipset default values are MODBINable by OEM customers.
15h	Reserved
16h	Initial Early_Init_Onboard_Generator switch.
17h	Reserved
18h	Detect CPU information including brand, SMI type (Cyrix or Intel) and CPU level (586 or 686).
19h	Reserved
1Ah	Reserved
1Bh	Initial interrupts vector table. If no special specified, all H/W interrupts are directed to SPURIOUS_INT_HDLR & S/W interrupts to SPURIOUS_soft_HDLR.
1Ch	Reserved
1Dh	Initial EARLY_PM_INIT switch.
1Eh	Reserved
1Fh	Load keyboard matrix (notebook platform)
20h	Reserved
21h	HPM initialization (notebook platform)
22h	Reserved
23h	<ol style="list-style-type: none"> 1. Check validity of RTC value: e.g. a value of 5Ah is an invalid value for RTC minute. 2. Load CMOS settings into BIOS stack. If CMOS checksum fails, use default value instead. 3. Prepare BIOS resource map for PCI & PnP use. If ESCD is valid, take into consideration of the ESCD's legacy information. 4. Onboard clock generator initialization. Disable respective clock resource to empty PCI & DIMM slots. 5. Early PCI initialization: <ul style="list-style-type: none"> -Enumerate PCI bus number -Assign memory & I/O resource -Search for a valid VGA device & VGA BIOS, and put it into C000:0.
24h	Reserved
25h	Reserved
26h	Reserved
27h	Initialize INT 09 buffer
28h	Reserved
29h	<ul style="list-style-type: none"> ● Program CPU internal MTRR (P6 & PII) for 0-640K memory address. ● Initialize the APIC for Pentium class CPU. ● Program early chipset according to CMOS setup. Example: onboard IDE controller. ● Measure CPU speed. ● Invoke video BIOS.
2Ah	Reserved
2Bh	Reserved
2Ch	Reserved

POST (hex)	Description
2Dh	1. Initialize multi-language 2. Put information on screen display, including Award title, CPU type, CPU speed
2Eh	Reserved
2Fh	Reserved
30h	Reserved
31h	Reserved
32h	Reserved
33h	Reset keyboard except Winbond 977 series Super I/O chips.
34h	Reserved
35h	Reserved
36h	Reserved
37h	Reserved
38h	Reserved
39h	Reserved
3Ah	Reserved
3Bh	Reserved
3Ch	Test 8254
3Dh	Reserved
3Eh	Test 8259 interrupt mask bits for channel 1.
3Fh	Reserved
40h	Test 8259 interrupt mask bits for channel 2.
41h	Reserved
42h	Reserved
43h	Test 8259 functionality.
44h	Reserved
45h	Reserved
46h	Reserved
47h	Initialize EISA slot
48h	Reserved
49h	1. Calculate total memory by testing the last double word of each 64K page. 2. Program writes allocation for AMD K5 CPU.
4Ah	Reserved
4Bh	Reserved
4Ch	Reserved
4Dh	Reserved
4Eh	1. Program MTRR of M1 CPU 2. Initialize L2 cache for P6 class CPU & program CPU with proper cacheable range. 3. Initialize the APIC for P6 class CPU. 4. On MP platform, adjust the cacheable range to smaller one in case the cacheable ranges between each CPU are not identical.
4Fh	Reserved
50h	Initialize USB
51h	Reserved
52h	Test all memory (clear all extended memory to 0)
53h	Reserved
54h	Reserved
55h	Display number of processors (multi-processor platform)
56h	Reserved
57h	1. Display PnP logo 2. Early ISA PnP initialization -Assign CSN to every ISA PnP device.

POST (hex)	Description
58h	Reserved
59h	Initialize the combined Trend Anti-Virus code.
5Ah	Reserved
5Bh	(Optional Feature) Show message for entering AWDFLASH.EXE from FDD (optional)
5Ch	Reserved
5Dh	1. Initialize Init_Onboard_Super_IO switch. 2. Initialize Init_Onboard_AUDIO switch.
5Eh	Reserved
5Fh	Reserved
60h	Okay to enter Setup utility; i.e. not until this POST stage can users enter the CMOS setup utility.
61h	Reserved
62h	Reserved
63h	Reserved
64h	Reserved
65h	Initialize PS/2 Mouse
66h	Reserved
67h	Prepare memory size information for function call: INT 15h ax=E820h
68h	Reserved
69h	Turn on L2 cache
6Ah	Reserved
6Bh	Program chipset registers according to items described in Setup & Auto-configuration table.
6Ch	Reserved
6Dh	1. Assign resources to all ISA PnP devices. 2. Auto assign ports to onboard COM ports if the corresponding item in Setup is set to "AUTO".
6Eh	Reserved
6Fh	1. Initialize floppy controller 2. Set up floppy related fields in 40:hardware.
70h	Reserved
71h	Reserved
72h	Reserved
73h	(Optional Feature) Enter AWDFLASH.EXE if : -AWDFLASH is found in floppy drive. -ALT+F2 is pressed
74h	Reserved
75h	Detect & install all IDE devices: HDD, LS120, ZIP, CDROM.....
76h	Reserved
77h	Detect serial ports & parallel ports.
78h	Reserved
79h	Reserved
7Ah	Detect & install co-processor
7Bh	Reserved
7Ch	Reserved
7Dh	Reserved
7Eh	Reserved
7Fh	1. Switch back to text mode if full screen logo is supported. -If errors occur, report errors & wait for keys -If no errors occur or F1 key is pressed to continue: •Clear EPA or customization logo.

POST (hex)	Description
80h	Reserved
81h	Reserved
82h	<ol style="list-style-type: none"> 1. Call chipset power management hook. 2. Recover the text font used by EPA logo (not for full screen logo) 3. If password is set, ask for password.
83h	Save all data in stack back to CMOS
84h	Initialize ISA PnP boot devices
85h	<ol style="list-style-type: none"> 1. USB final Initialization 2. NET PC: Build SYSID structure 3. Switch screen back to text mode 4. Set up ACPI table at top of memory. 5. Invoke ISA adapter ROMs 6. Assign IRQs to PCI devices 7. Initialize APM 8. Clear noise of IRQs.
86h	Reserved
87h	Reserved
88h	Reserved
89h	Reserved
90h	Reserved
91h	Reserved
92h	Reserved
93h	Read HDD boot sector information for Trend Anti-Virus code
94h	<ol style="list-style-type: none"> 1. Enable L2 cache 2. Program boot up speed 3. Chipset final initialization. 4. Power management final initialization 5. Clear screen & display summary table 6. Program K6 write allocation 7. Program P6 class write combining
95h	<ol style="list-style-type: none"> 1. Program daylight saving 2. Update keyboard LED & typematic rate
96h	<ol style="list-style-type: none"> 1. Build MP table 2. Build & update ESCD 3. Set CMOS century to 20h or 19h 4. Load CMOS time into DOS timer tick 5. Build MSIRQ routing table.
FFh	Boot attempt (INT 19h)

Notes

Appendix C

System Specifications

Processors

Single Intel® Pentium® 4 processor of up to 3.40 GHz with hyper-threading technology at a 800/533/400 MHz front side bus speed

Chipset

Intel E7210

Memory Capacity

Four (4) DIMM slots to support a maximum of 4 GB unbuffered ECC or non-ECC DDR400/333/266 low-profile SDRAM (dual-channel memory)

Note: all memory modules should be the same size, speed and type

DIMM Sizes

128 MB / 256 MB / 512 MB / 1 GB 184-pin modules supported

SCSI Controller

Adaptec AIC-7902 for dual channel Ultra320 SCSI

SCSI Backplane Controller

SAF-TE backplane to support four (4) SCA hot-swap SCSI drives

Peripheral Bays

One (1) slim CD-ROM drive

PCI Expansion Slots

One (1) 64-bit 66 MHz (3.3V) PCI-X slot (bundled with a riser card)

Motherboard

Model: P4SC8 (ATX Form Factor)

Dimensions: 12 x 9.5 in (305 x 241 mm)

Chassis

Model: SC813MS-300C (1U Rackmount)

Dimensions: (WxHxD) 17.2 x 1.7 x 19.85 in. (437 x 43 x 504 mm)

Note: for information on supported operating systems, please visit our web site at www.supermicro.com

Weight

Gross Weight: 38 lbs. (17.3 kg.)

System Cooling

Three (3) 4-cm high performance fans

System Input Requirements

AC Input Voltage: 100-240 VAC

Rated Input Current: 4A (115V) to 2A (230V)

Rated Input Frequency: 50 to 60 Hz

Power Supply

Rated Output Power: 300W (Model# SP302-1S, Part# PWS-0054)

Rated Output Voltages: +3.3V (15A), +5V (15A), +12V1 (15A), +12V2 (15A), 12Vtotal (20A), -12V (1A), +5Vsb (2A)

BTU Rating

1470 BTUs/hr (for rated output power of 300W)

Operating Environment

Operating Temperature: 10° to 35° C (50° to 95° F)

Non-operating Temperature: -40° to 70° C (-40° to 158° F)

Operating Relative Humidity: 8% to 90% (non-condensing)

Non-operating Relative Humidity: 5 to 95% (non-condensing)

Regulatory Compliance

Electromagnetic Emissions:

FCC Class B, EN 55022 Class B, EN 61000-3-2/-3-3, CISPR 22 Class B

Electromagnetic Immunity:

EN 55024/CISPR 24, (EN 61000-4-2, EN 61000-4-3, EN 61000-4-4, EN 61000-4-5, EN 61000-4-6, EN 61000-4-8, EN 61000-4-11)

Safety:

EN 60950/IEC 60950-Compliant

UL Listed (USA)

CUL Listed (Canada)

TUV Certified (Germany)

CE Marking (Europe)